

EN



Movement by Perfection



The Royal League in ventilation, control and drive technology



[Product documentation](#)

Type
ZN091-VDL.7Q.V5P1

Article number
165078

Article number
165078

The Royal League

Die Königsklasse

Product documentation

ZIEHL-ABEGG Subsidiary
Headquarters ZIEHL-ABEGG SE
Heinz-Ziehl-Straße
74653 Künzelsau
Tel. +49 7940 16-0
Fax +49 7940 16-300
info@ziehl-abegg.de
www.ziehl-abegg.de

Type
ZN091-VDL.7Q.V5P1

Article number
165078



Table of Contents

1.	Product Specification - Technical Data	4
2.	Duty Point Data	6
3.	Characteristic Curve	7
4.	Drawing	8
5.	Connection Diagram	9
6.	Deviation List	10

1. Product Specification - Technical Data

Article number	165078
Type	ZN091-VDL.7Q.V5P1
Rated values	3~400V D/Y 50Hz P(1) 5.40/3.20kW 9.0/5.2A $\Delta I=0\%$ 1230/900/min COSY 0,88 40°C 3~400V D/Y 50Hz P(1) 4.60/2.90kW 7.8/4.8A $\Delta I=5\%$ 1280/980/min COSY 0,86 PsF max.200Pa 60°C Hz
Electrical connection	Terminal box K07
ErP Data	Measurement category ErP: A Air flow q(v) on Eta opt: 26862 m3/h Pressure increase p(fs) on Eta opt: 304 Pa Input power P(1) on Eta opt: 5085 W Efficiency H(statA): 46.9 % Efficiency grade: N(actual) = 48.8 / N(target) = 40* *ErP 2015
Type Of Protection	IP54
Heat Class	THCL155
Mounting Type Terminal Box	Mounted on Stator
Connection Diagram	1360-108XA
Rating Plate	1x fixed
Fitting Position	H/Vu/Vo
Motor Protection	thermal contact
Impregnation	Moisture and hot climate protection
Condensation Drain Holes	Condensation drain holes stator/rotor open
Bearing Quality	ball bearing with long-time lubrication
Material Rotor	Aluminium
Painting Rotor	Rotor unpainted
Painting Stator	Stator unpainted
Material Blades	Aluminium
Painting Impeller	Blades unpainted
Contact Protection Type	ring grill
Paint Nozzle	Bell mouth unpainted
Operating Manual	L-BAL-001
Weight	58.30 kg
Paint Guard Grill	Safety guard powder-coated resistance class 2 (L-TI-0585)
Guard Grill Outlet	Guard grill for pressure side supplied loosely
Client`S Loose Parts	Connecting elements in the accessories bag supplied loosely.
Colour Shade Nozzle	black
Min. Operating Temperature °C	-40°C***

Article number
165078

Disclaimer Ct20/Doe

The Royal League

Die Königsklasse

This product is currently not tested for compliance with U.S. DOE and CT20 regulations. The Purchase constitutes confirmation that the products intended use is exempt as per 10 CFR Part 431.174 paragraph A(3), or is for use in markets unaffected by these standards, as our customer we recommend you to verify local compliance prior to use.

Continuous operation with occasional starts (S1) according to DIN EN 60034-1:2011-02. Occasional starting between -40 °C and -25 °C is permissible. Continuous operation below -25 °C only with special bearings for refrigeration applications on request.

2. Duty Point Data

ZN091-VDL.7Q.V5P1 (165078)

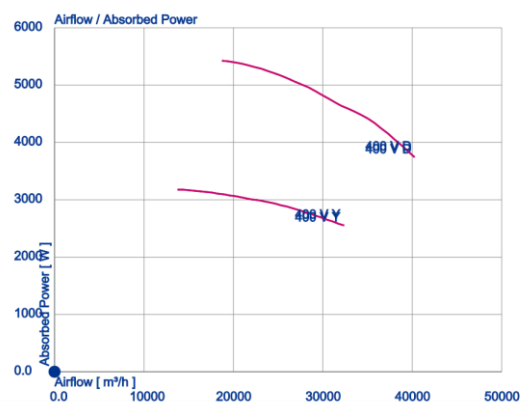
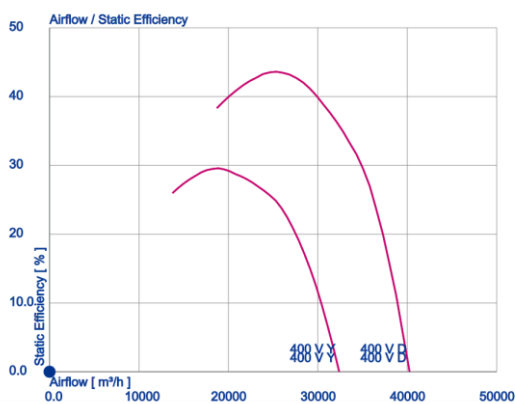
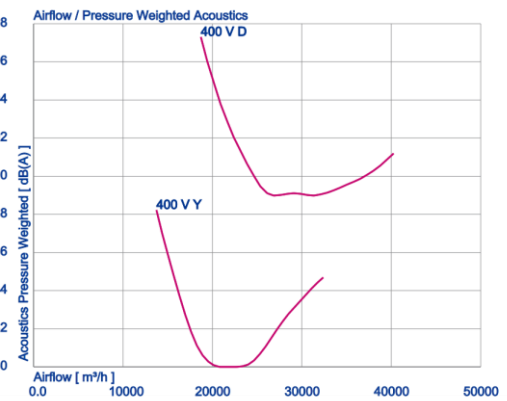
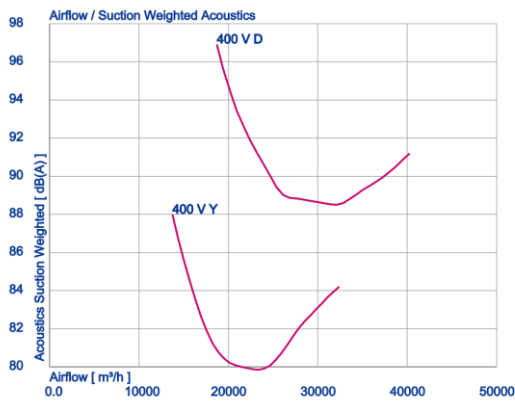
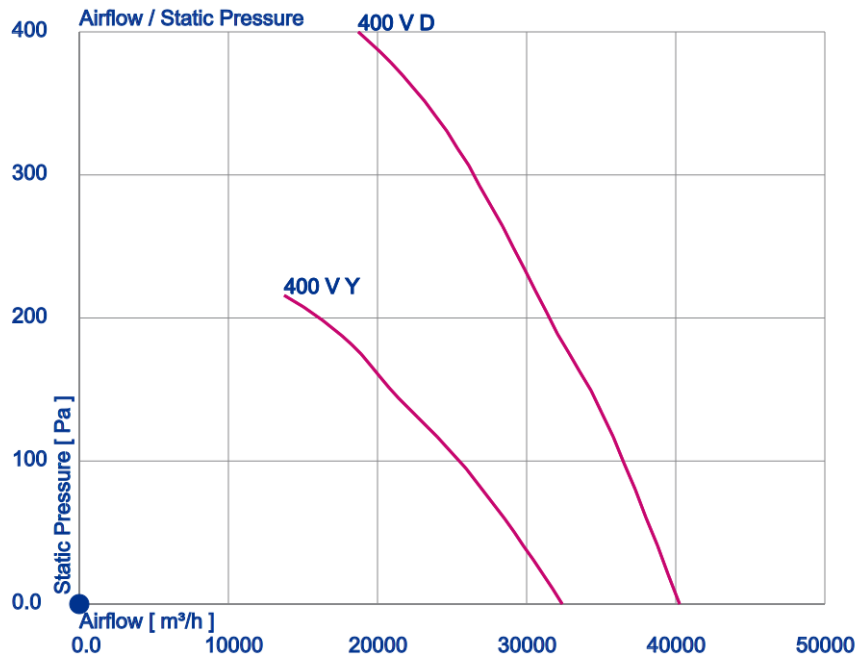
Design Fan Size Motor Brand		V-L 910 FE2owlet-ZAplus
SFP Class SFP Value (Pspf)	- wspm3	0,0
FEI FEG		0,0
Actual FEP Reference FEP		
Airflow (qV) Airflow Mains	m ³ /h	0,0 0,0
Pressure, stat. (psF) Static Pressure Mains	Pa	0,0 0,0
Dynamic Pressure	Pa	0,0
Total Pressure (pF)	Pa	0,0
Air Velocity	m/s	0,0
Density	kg/m ³	1,15
Altitude		
Temperature	celsius	20
RPM (n) RPM Percentage max.(nmax)	1/min	0,0 @ % 1280
Absorbed Power (Psys)	W	0,0
Elec. Power	W	0,0
Shaft Power	W	0,0
System Efficiency, stat. (η _{SF,sys}) tot. (η _{F,sys})	%	0,0 0,0
Eta ERP ERP Year		48,8 2015
Frequency	Hz	50
Voltage	V	
Current	A	0,0
Suction Acoustics (L _{w(A),5}) (L _{w,5})	dB(A)	0 0
Pressure Acoustics (L _{w(A),6}) (L _{w,6})	dB(A)	0 0
Enclosure / Impeller		
Dimensions (Width x Height x Depth)	mm	1063 x 1063 x 393
Installation (Width x Height x Depth)	mm	x x
Mass	kg	58,3
Kfactor Kfactor Grille		
Nozzle Pressure (psF Düse)	Pa	0,0
Guard Grille		

Full Octave band

f [Hz]	sum	63	125	250	500	1000	2000	4000	8000	f [Hz]	sum	63	125	250	500	1000	2000	4000	8000
L _{w,5}	0	0								L _{w,6}	0	0							
L _{w(A),5}	0	0								L _{w(A),6}	0	0							

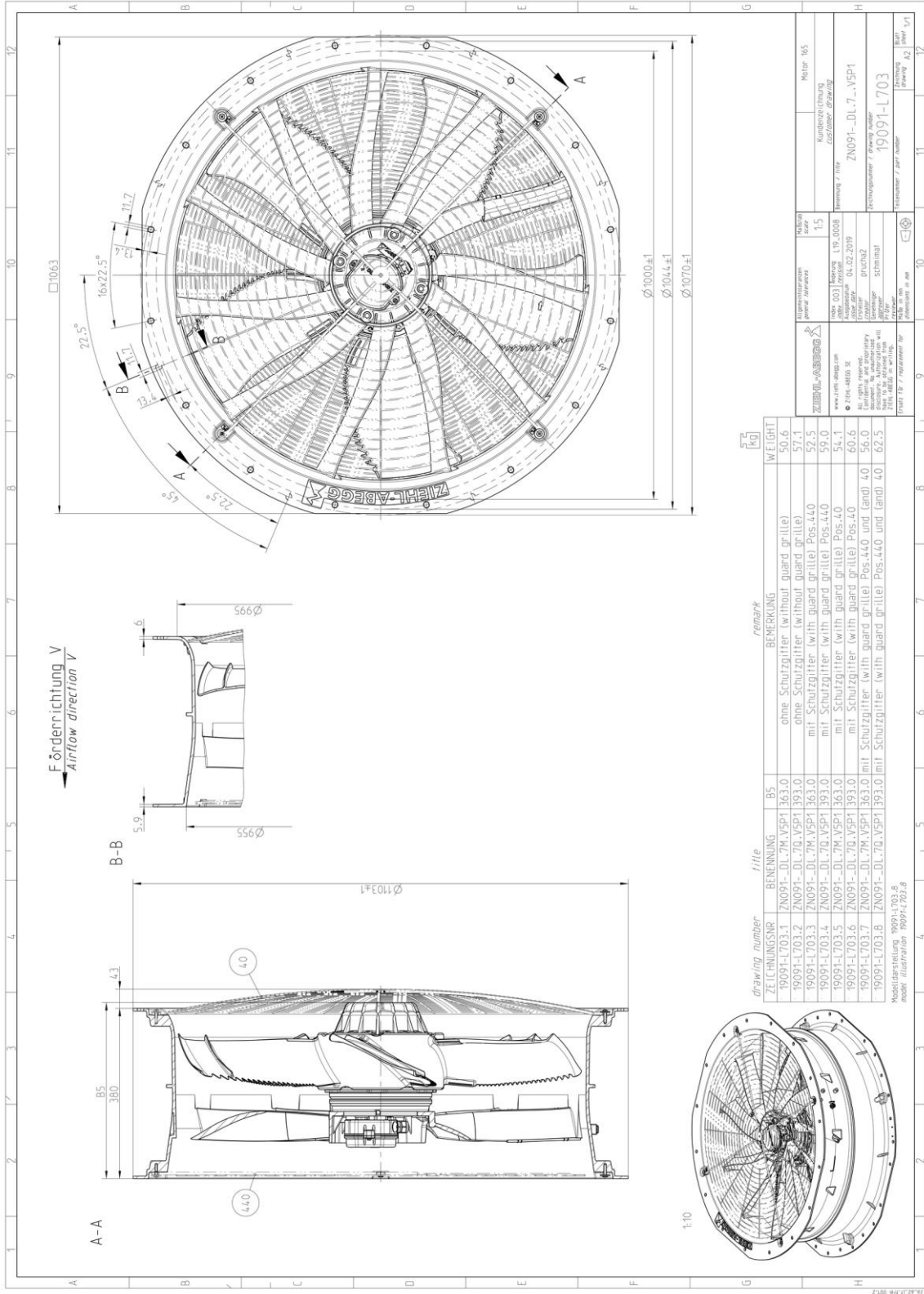
3. Characteristic Curve

Measured in ZPlus with pressure side guard grille in air flow direction V in installation type A according to ISO5801



The Royal League Die Königsklasse

Article number
165078
4. Drawing



Dimensions in mm

The illustrations shown make no claim to completeness and are for orientation purposes only.

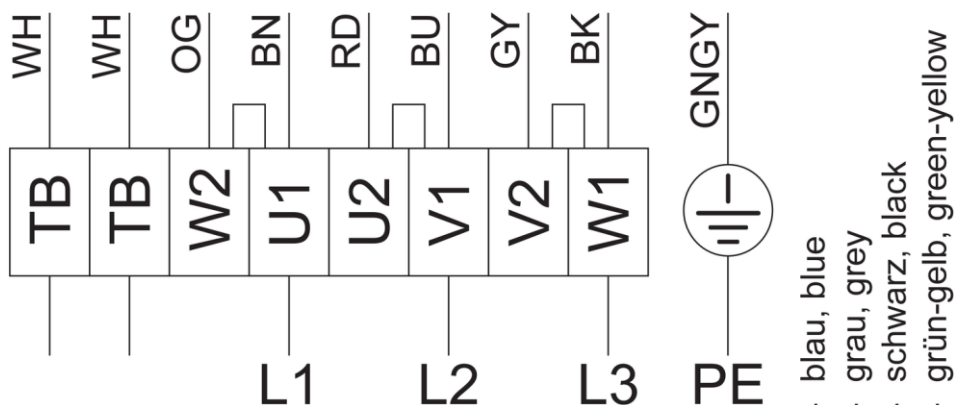
5. Connection Diagram

3~ Motor mit 2 Drehzahlen (Δ /Y-Umschaltung) und Thermostatschalter (falls eingebaut). Ohne Brücke bei Verwendung von Drehzahlumschalter.

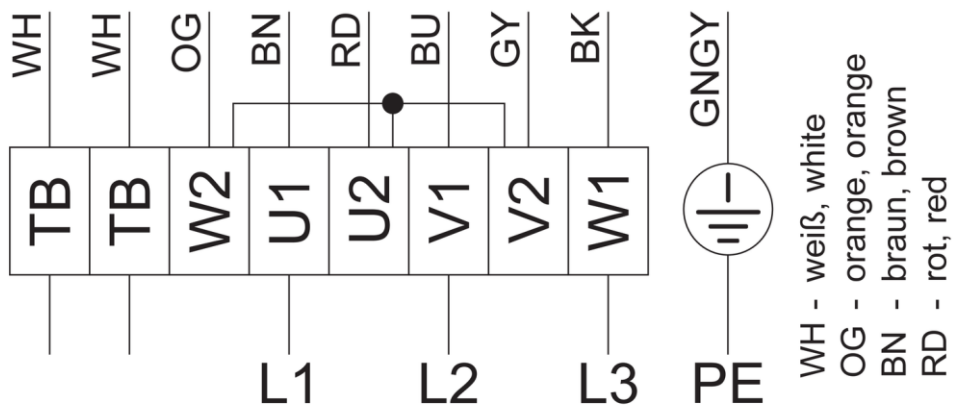
3~ motor, 2 speeds (Δ /Y switch over) with thermostatic switch (if built in). Without bridge when using speed change-over switch.

Hohe Drehzahl / Δ -Schaltung
High speed / Δ -connection

108XA-05



Niedere Drehzahl / Y-Schaltung
Low speed / Y-connection



6. Deviation List

No customer specification was available. Please note that ZIEHL-ABEGG does not confirm technical requirements beyond this specification if they are not listed in a list of deviations. ZIEHL-ABEGG can therefore neither guarantee nor prove the suitability of this product for this specific application or the customer's intended use. The customer is responsible for testing and approving the product for its intended use.



The Royal League in ventilation, **control** and drive technology

Intelligent control technology for any application

ZIEHL-ABEGG system capabilities:

Everything from a single source – perfectly matched for optimal performance

Please contact us. We would be pleased to design an individual solution for your requirements.

We would like to welcome you on our worldwide exhibitions. Please find our next exhibitions here.

[ZIEHL-ABEGG EVENTS](#)