

EN



Movement by Perfection



The Royal League in ventilation, control and drive technology



[Product documentation](#)

Type  
**ZN080-SDL.6N.V7P5**

Article number  
**168919**

Article number  
168919

# The Royal League

## Die Königsklasse

## Product documentation

ZIEHL-ABEGG Subsidiary  
Headquarters ZIEHL-ABEGG SE  
Heinz-Ziehl-Straße  
74653 Künzelsau  
Tel. +49 7940 16-0  
Fax +49 7940 16-300  
info@ziehl-abegg.de  
www.ziehl-abegg.de

Type  
ZN080-SDL.6N.V7P5

Article number  
168919



### Table of Contents

1.	Product Specification - Technical Data	4
2.	Duty Point Data	6
3.	Characteristic Curve	7
4.	Drawing	8
5.	Connection Diagram	9
6.	Deviation List	10

### 1. Product Specification - Technical Data

<b>Article number</b>	168919
<b>Type</b>	ZN080-SDL.6N.V7P5
<b>Rated values</b>	3~400V D/Y 50Hz P(1) 1.85/1.05kW 3.8/2.0A $\Delta I=0\%$ 870/640/min COSY 0,70 60°C Hz
<b>Electrical connection</b>	Terminal box K62
<b>ErP Data</b>	Measurement category ErP: A Air flow q(v) on Eta opt: 15690 m3/h Pressure increase p(fs) on Eta opt: 170 Pa Input power P(1) on Eta opt: 1777 W Efficiency H(statA): 42.7 % Efficiency grade: N(actual) = 47.5 / N(target) = 40* *ErP 2015
<b>Type Of Protection</b>	IP54
<b>Heat Class</b>	THCL155
<b>Mounting Type Terminal Box</b>	Mounted on Stator
<b>Connection Diagram</b>	1360-108XA
<b>Rating Plate</b>	1x fixed
<b>Fitting Position</b>	H/Vu/Vo
<b>Motor Protection</b>	thermal contact
<b>Impregnation</b>	Moisture and hot climate protection
<b>Condensation Drain Holes</b>	Condensation drain holes stator/rotor open
<b>Bearing Quality</b>	ball bearing with long-time lubrication
<b>Material Rotor</b>	Aluminium
<b>Painting Rotor</b>	Rotor unpainted
<b>Painting Stator</b>	Stator unpainted
<b>Material Blades</b>	Aluminium
<b>Painting Impeller</b>	Blades unpainted
<b>Contact Protection Type</b>	ring grill
<b>Paint Nozzle</b>	Bell mouth unpainted
<b>Operating Manual</b>	L-BAL-001
<b>Weight</b>	40.30 kg
<b>Paint Guard Grill</b>	Safety guard powder-coated resistance class 2 (L-TI-0585)
<b>Guard Grill Outlet</b>	Guard grill for pressure side supplied loosely
<b>Client`S Loose Parts</b>	Connecting elements in the accessories bag supplied loosely.
<b>Colour Shade Nozzle</b>	black
<b>Min. Operating Temperature °C</b>	-40°C***
<b>Disclaimer Ct20/Doe</b>	This product is currently not tested for compliance with U.S. DOE and CT20 regulations. The Purchase

Article number  
168919

# The Royal League

## Die Königsklasse

constitutes confirmation that the products intended use is exempt as per 10 CFR Part 431.174 paragraph A(3), or is for use in markets unaffected by these standards, as our customer we recommend you to verify local compliance prior to use.

Continuous operation with occasional starts (S1) according to DIN EN 60034-1:2011-02. Occasional starting between -40 °C and -25 °C is permissible. Continuous operation below -25 °C only with special bearings for refrigeration applications on request.

## 2. Duty Point Data

### ZN080-SDL.6N.V7P5 (168919)

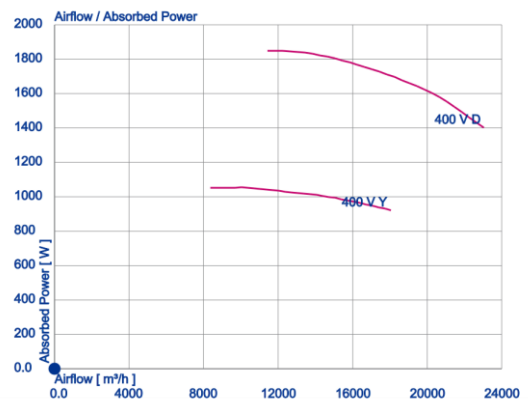
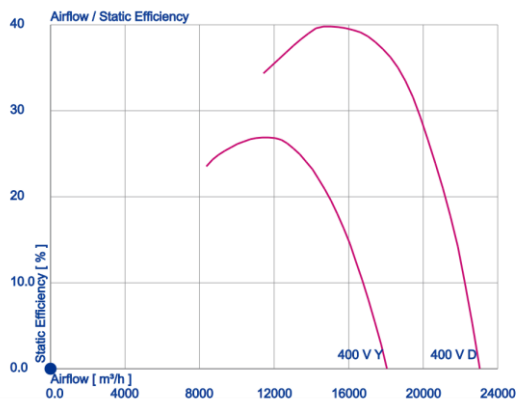
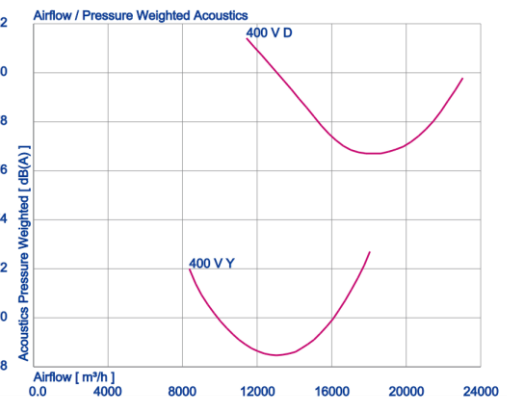
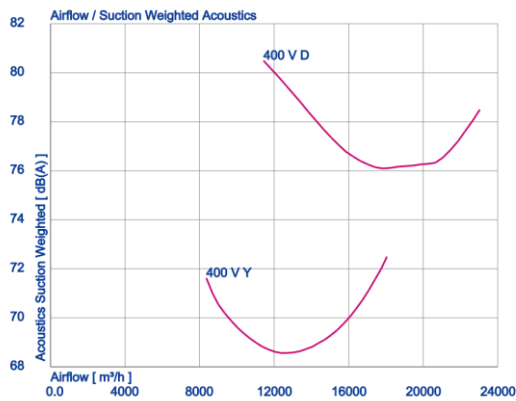
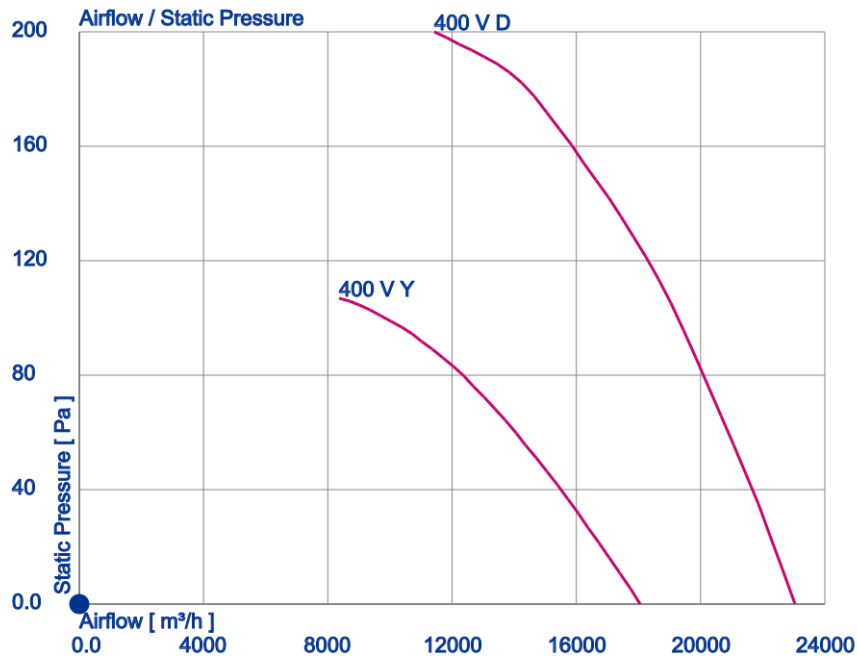
Design   Fan Size   Motor Brand		V-L   800   FE2owlet-ZAplus
SFP Class   SFP Value (Pspf)	-   wspm3	0,0
FEI   FEG		0,0
Actual FEP   Reference FEP		
Airflow (qV)   Airflow Mains	m <sup>3</sup> /h	0,0   0,0
Pressure, stat. (psF)   Static Pressure Mains	Pa	0,0   0,0
Dynamic Pressure	Pa	0,0
Total Pressure (pF)	Pa	0,0
Air Velocity	m/s	0,0
Density	kg/m <sup>3</sup>	1,16
Altitude		
Temperature	celsius	20
RPM (n)   RPM Percentage   max.(nmax)	1/min	<b>0,0 @ %   870</b>
Absorbed Power (Psys)	W	0,0
Elec. Power	W	0,0
Shaft Power	W	0,0
System Efficiency, stat. (η <sub>SF,sys</sub> )   tot. (η <sub>F,sys</sub> )	%	<b>0,0   0,0</b>
Eta ERP   ERP Year		47,5   2026
Frequency	Hz	50
Voltage	V	
Current	A	0,0
Suction Acoustics (L <sub>w(A),5</sub> )   (L <sub>w,5</sub> )	dB(A)	<b>0   0</b>
Pressure Acoustics (L <sub>w(A),6</sub> )   (L <sub>w,6</sub> )	dB(A)	<b>0   0</b>
Enclosure / Impeller		
Dimensions (Width x Height x Depth)	mm	955 x 955 x 328
Installation (Width x Height x Depth)	mm	x x
Mass	kg	40,3
Kfactor   Kfactor Grille		
Nozzle Pressure (psF Düse)	Pa	0,0
Guard Grille		

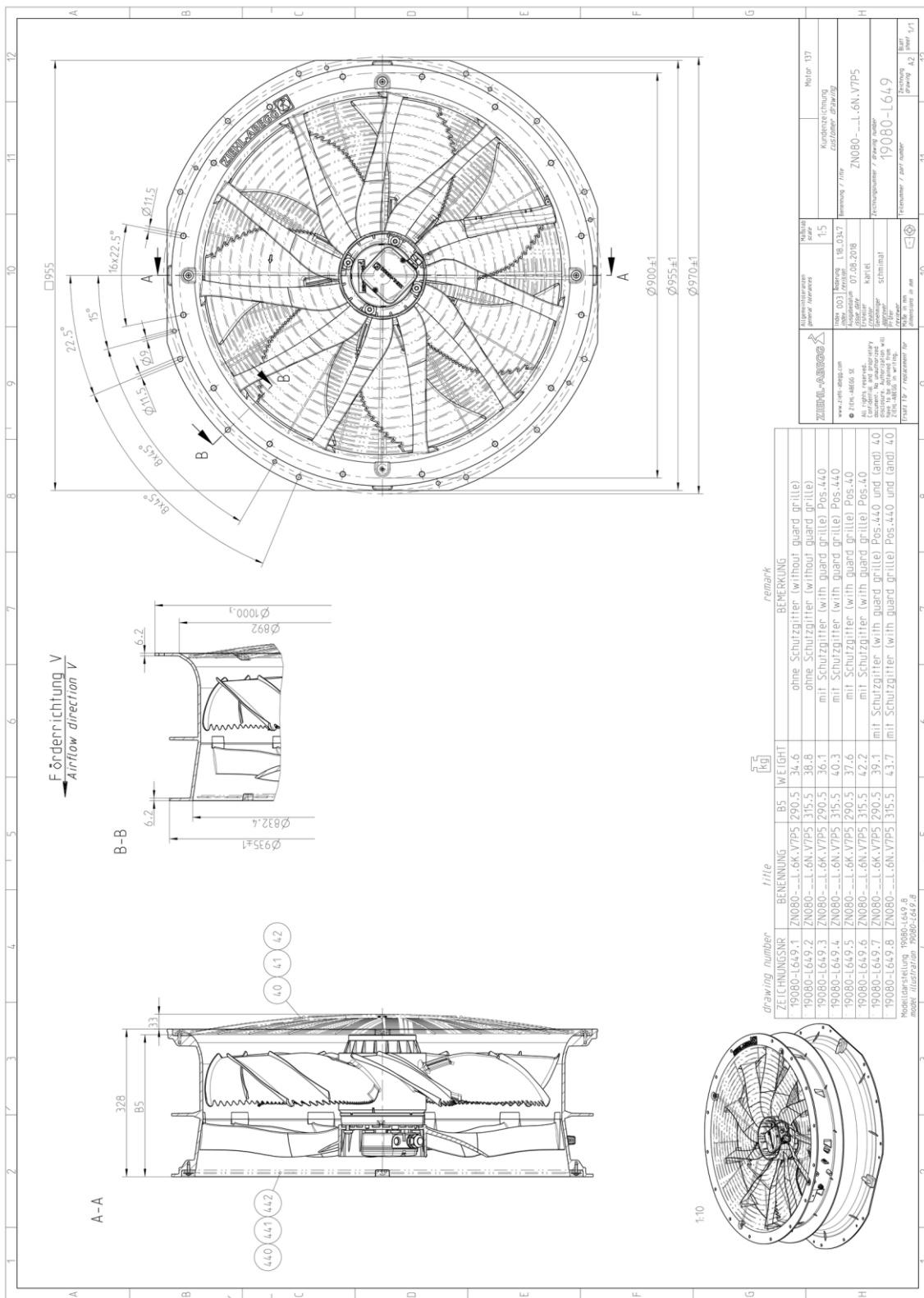
### Full Octave band

f [Hz]	sum	63	125	250	500	1000	2000	4000	8000	f [Hz]	sum	63	125	250	500	1000	2000	4000	8000
L <sub>w,5</sub>	0	0								L <sub>w,6</sub>	0	0							
L <sub>w(A),5</sub>	0	0								L <sub>w(A),6</sub>	0	0							

### 3. Characteristic Curve

Measured in ZPlus with pressure side guard grille in air flow direction V in installation type A according to ISO5801





	ZIEHL-ABEGG SE www.ziehl-abegg.com All rights reserved. Confidential and proprietary document. No disclosure to third parties, if not expressly agreed by ZA SE.	Lieferkategorie general reference 1-5	Teilnummer 137
Modellnummer 19080-L649.1	Zeichnungsnummer 19080-L649.1	Ausführung 1-5	Kundenzeichnung ZIEHL-ABEGG SE
Modellnummer 19080-L649.1	Zeichnungsnummer 19080-L649.1	Ausführung 1-5	Kundenzeichnung ZIEHL-ABEGG SE
Modellnummer 19080-L649.1	Zeichnungsnummer 19080-L649.1	Ausführung 1-5	Kundenzeichnung ZIEHL-ABEGG SE

ZEICHNUNGSNR	BENENNUNG	B5	WEIGHT	BEMERKUNG
19080-L649.1	ZN080-...L.6K.V7P5	290.5	34.6	ohne Schutzgitter (without guard grille)
19080-L649.2	ZN080-...L.6N.V7P5	315.5	36.8	ohne Schutzgitter (without guard grille)
19080-L649.3	ZN080-...L.6K.V7P5	290.5	36.1	mit Schutzgitter (with guard grille) Pos.4.40
19080-L649.4	ZN080-...L.6N.V7P5	315.5	40.3	mit Schutzgitter (with guard grille) Pos.4.40
19080-L649.5	ZN080-...L.6K.V7P5	290.5	37.6	mit Schutzgitter (with guard grille) Pos.4.0
19080-L649.6	ZN080-...L.6N.V7P5	315.5	42.2	mit Schutzgitter (with guard grille) Pos.4.0
19080-L649.7	ZN080-...L.6K.V7P5	290.5	39.1	mit Schutzgitter (with guard grille) Pos.4.40 und (and) 4.0
19080-L649.8	ZN080-...L.6N.V7P5	315.5	43.7	mit Schutzgitter (with guard grille) Pos.4.40 und (and) 4.0

Dimensions in mm

The illustrations shown make no claim to completeness and are for orientation purposes only.

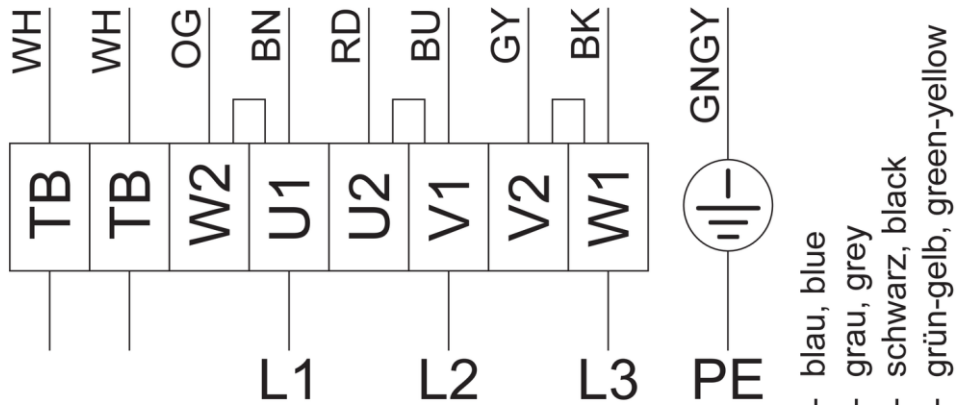
### 5. Connection Diagram

3~ Motor mit 2 Drehzahlen ( $\Delta$ /Y-Umschaltung) und Thermostatschalter (falls eingebaut). Ohne Brücke bei Verwendung von Drehzahlumschalter.

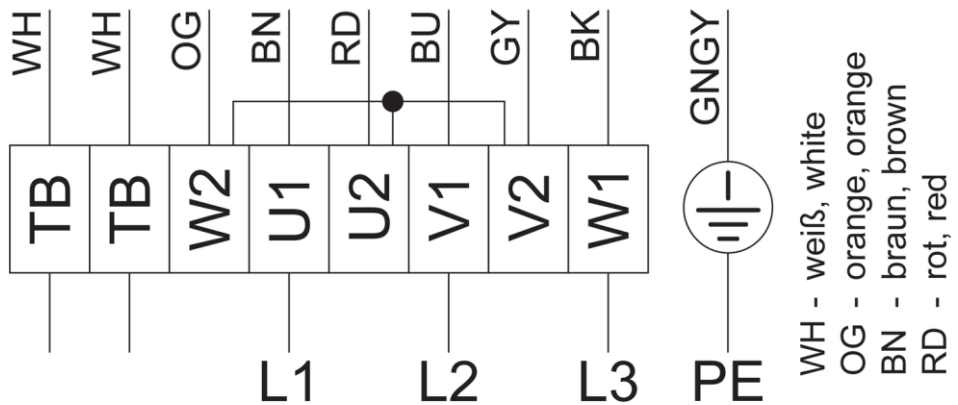
3~ motor, 2 speeds ( $\Delta$ /Y switch over) with thermostatic switch (if built in). Without bridge when using speed change-over switch.

Hohe Drehzahl /  $\Delta$ -Schaltung  
High speed /  $\Delta$ -connection

108XA-05



Niedere Drehzahl / Y-Schaltung  
Low speed / Y-connection



### 6. Deviation List

No customer specification was available. Please note that ZIEHL-ABEGG does not confirm technical requirements beyond this specification if they are not listed in a list of deviations. ZIEHL-ABEGG can therefore neither guarantee nor prove the suitability of this product for this specific application or the customer's intended use. The customer is responsible for testing and approving the product for its intended use.



The Royal League in ventilation, **control** and drive technology

## Intelligent control technology for any application

### ZIEHL-ABEGG system capabilities:

**Everything from a single source – perfectly matched for optimal performance**

Please contact us. We would be pleased to design an individual solution for your requirements.

We would like to welcome you on our worldwide exhibitions. Please find our next exhibitions here.

[ZIEHL-ABEGG EVENTS](#)