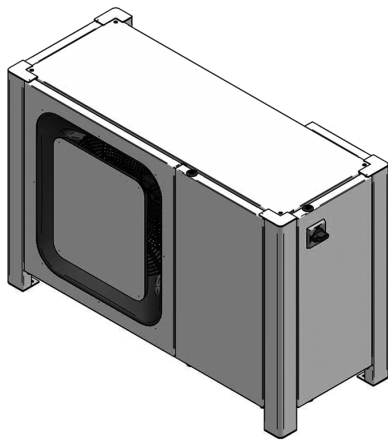


UP-SE2010GK-EAE00



**ENGINEERING CODE**  
5S3CCS6C4FI



**REFRIGERANT**  
R-449A



**POWER SUPPLY**  
220 V 50 Hz



**APPLICATION**  
LBP



**MOTOR TYPE**  
CSR



**STANDARD**  
EN13215\_RG20



**COOLING CAPACITY**  
1865 W



**EFFICIENCY**  
1.05 W/W

DATA

GENERAL DATA

**Model** UP-SE2010GK-EAE00

ELECTRICAL DATA

**Rated Load Amperage (RLA)** 16.73 A

**Maximum Overcurrent Protection (MOP)** 37.64 A

**Minimum Current Ampacity (MCA)** 20.9 A

ACCESSORIES

Dryer	Castel	DF305-M10S
Dualpressostat	DANFOSS	KP17W. (060-1275)
Fanspeed Controller	DANFOSS	XGE-4C (061H3140)
Heater	70W-230V	2464355
Sightglass	Castel	3940_M10
Discharge valve	FSV33	1996809
Suction valve	FSV66	1996809

CONDENSING COMPONENTS

Compressor	SE2010GK	LBP
Refrigerant	R-404A	
Fan Blade Diameter	400 mm	
Fankit	FAN ASSEMBLY HOUSING 2	1996784

## MECHANICAL DATA

Air Flow	2 m <sup>3</sup> /h
Height	708 mm
Receiver	3.9 L
Shaft Power	120 W
Weight	91 Kg
Width	1082 mm
Length	490 mm

## PERFORMANCE

### TESTED CONDITIONS

Tested Refrigerant	R-449A
Tested Application	LBP
Tested Standard	EN13215_RG20

### RATED POINTS

Ambient Temperature °C	Evaporating Temperature °C	Cooling Capacity W	Efficiency W/W	Consumo de Potencia W
32	-35	1865	1.05	1784

Test Condition: Subcooling 3 K, Return Gas 20 °C.

### PERFORMANCE CURVE

Ambient Temperature 25°C

Evaporating Temperature °C	Cooling Capacity W	Efficiency W/W	Consumo de Potencia W
-40	1547	1.05	1475
-30	2473	1.46	1697
-25	3032	1.66	1826
-20	3666	1.86	1967
-15	4385	2.07	2120
-10	5196	2.27	2288

Test Condition: Subcooling 3 K, Return Gas 20 °C.

## PERFORMANCE CURVE

Ambient Temperature 32°C

Evaporating Temperature °C	Cooling Capacity W	Efficiency W/W	Consumo de Potencia W
-40	1491	0.89	1674
-30	2296	1.20	1908
-25	2793	1.36	2048
-20	3366	1.53	2205
-15	4021	1.69	2379
-10	4770	1.86	2571

Test Condition: Subcooling 3 K, Return Gas 20 °C.

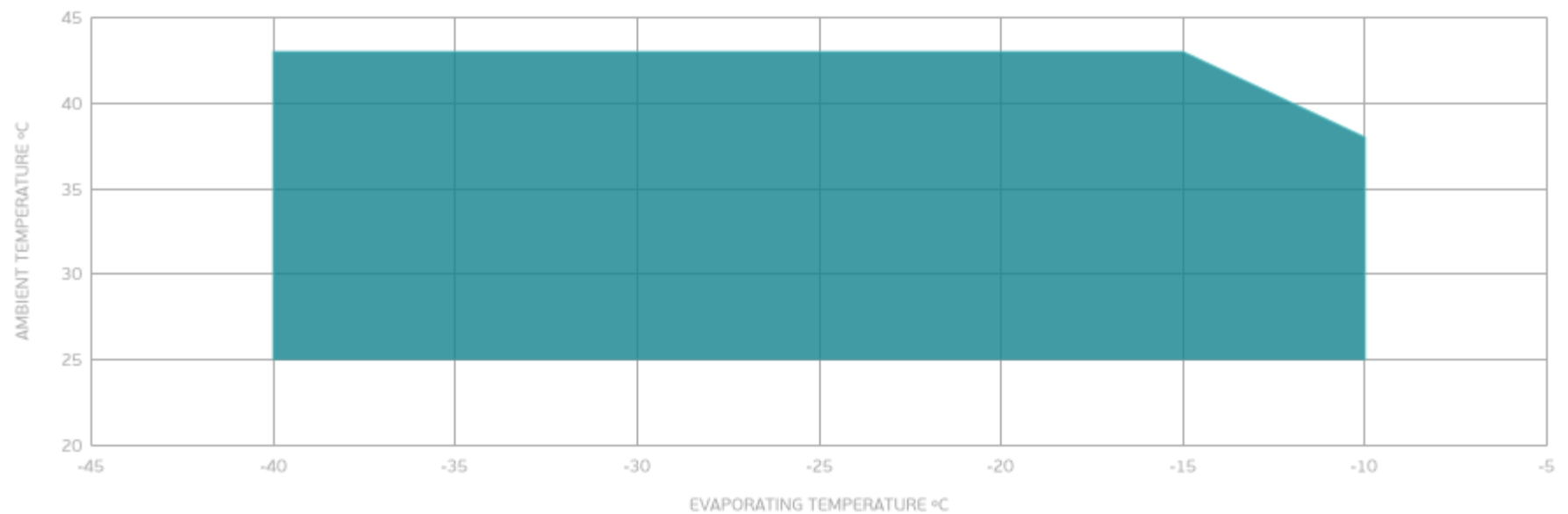
## PERFORMANCE CURVE

Ambient Temperature 43°C

Evaporating Temperature °C	Cooling Capacity W	Efficiency W/W	Consumo de Potencia W
-40	1344	0.63	2144
-30	1979	0.82	2402
-25	2389	0.93	2564
-20	2874	1.05	2750
-15	3441	1.16	2959

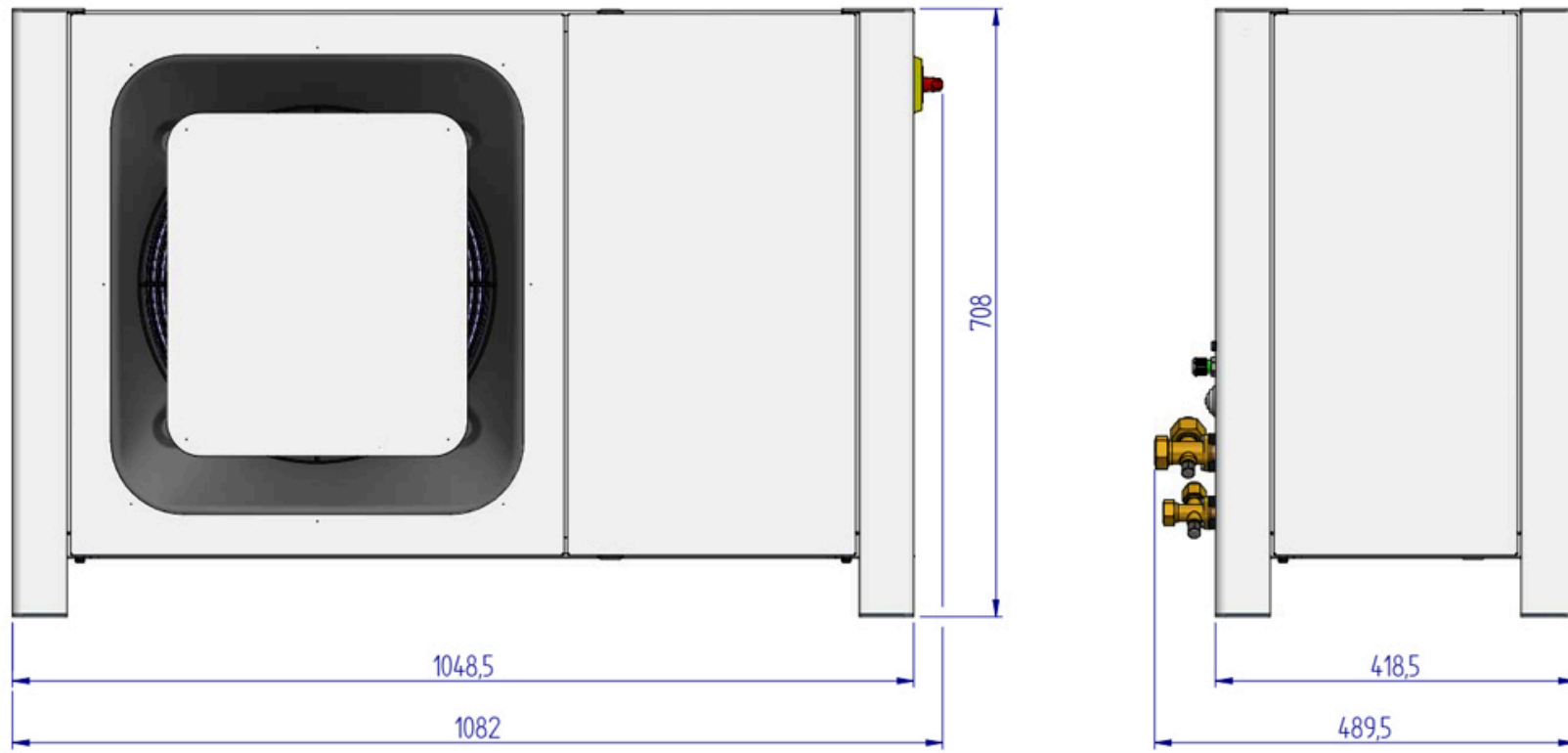
Test Condition: Subcooling 3 K, Return Gas 20 °C.

## ENVELOPE



■ OPERATING CONDITION

## EXTERNAL DIMENSIONS



## WIRING DIAGRAM

