

Installation Guide

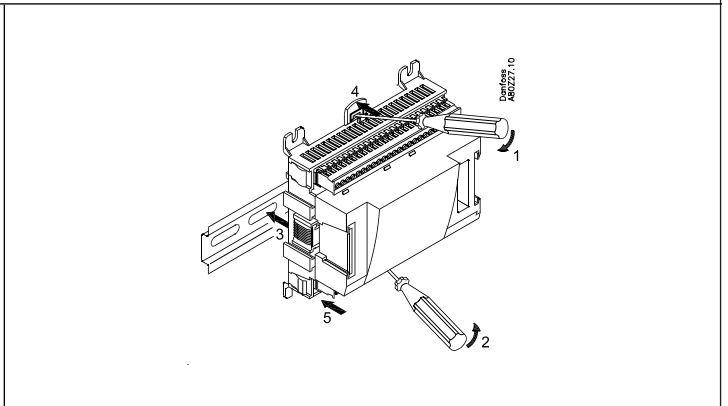
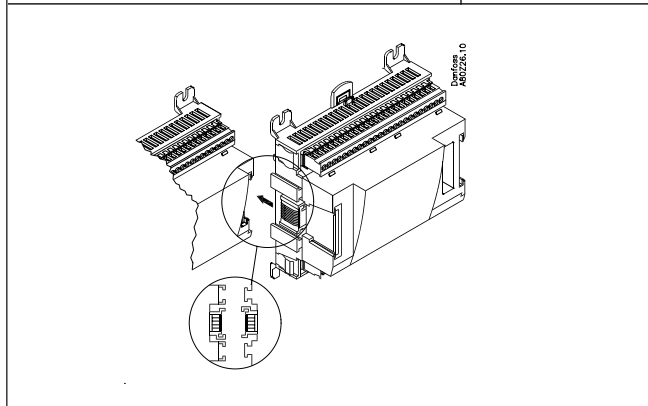
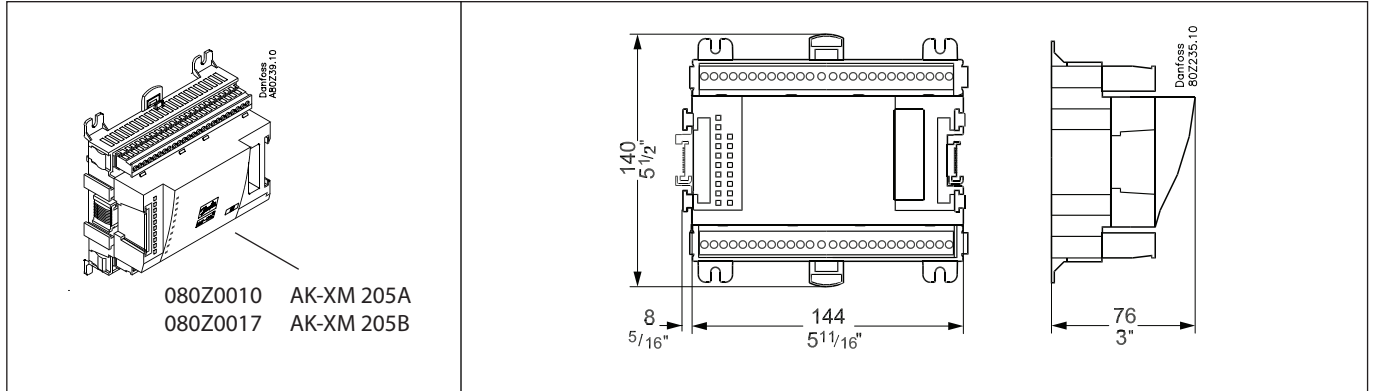
I/O module
Type **AK-XM 205A, AK-XM 205B**



080R9218

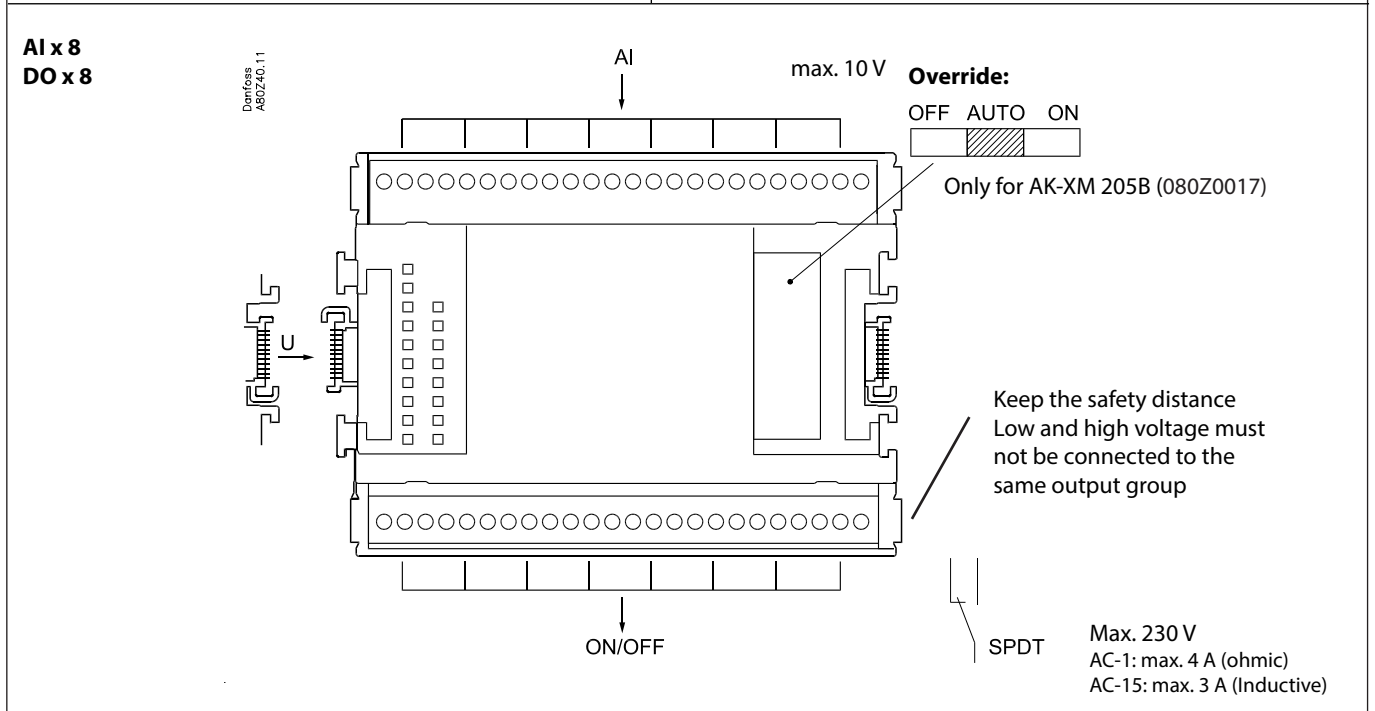


AN000086427157en-000601



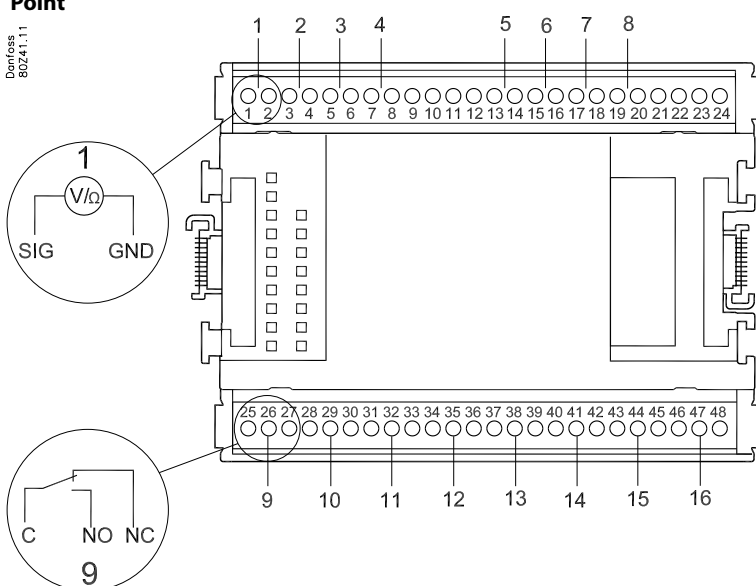
CE
 -20 °C < t_{amb} < 55 °C
 -0 °F < t_{amb} < 130 °F
 0 – 95% RH, non condensing
 IP10 / VBG4
 UL: E357029

Ensure power is disconnected before adding or removing Modules



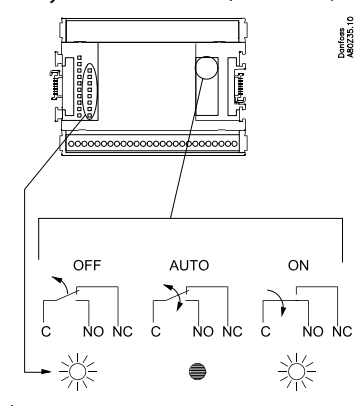
Point

Danfoss
80241.11



Override (Off / Auto / On)

Only for AK-XM 205B (080Z0017)

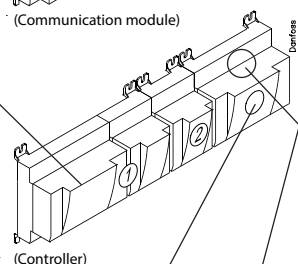
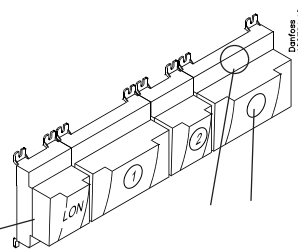
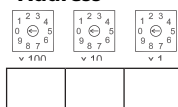


Danfoss
A80235.10

Terminal 9: 12V
Terminal 10: 5V
Terminal 21: 12V
Terminal 22: 5V
Terminal 11, 12, 23, 24:

	Signal	Signal type
S (sensor) Pt 1000 ohm/0°C 	S1 S2 Saux1 Saux2 SSA SdA	Pt 1000
P (pressure) AKS 32R AKS 2050 AKS 32 	POA POB PcA PcB Paux	AKS 32R AKS 2050 MBS 8250 -1 - xx bar AKS 32 -1 - zz bar
U (voltage) 	...	0 - 5V 0 - 10V
On/Off 	Ext. Main switch Day/Night Door	Active at: Closed / Open
DO 	Comp 1 Comp 2 Fan 1 Alarm	Active at: ON / OFF

Address



Signal	Signal type / Active at	Module	Point	Terminal
			1 (AI 1)	1 - 2
			2 (AI 2)	3 - 4
			3 (AI 3)	5 - 6
			4 (AI 4)	7 - 8
			5 (AI 5)	13 - 14
			6 (AI 6)	15 - 16
			7 (AI 7)	17 - 18
			8 (AI 8)	19 - 20
			9 (DO 1)	25-26-27
			10 (DO 2)	28-29-30
			11 (DO 3)	31-32-33
			12 (DO 4)	34-35-36
			13 (DO 5)	37-38-39
			14 (DO 6)	40-41-42
			15 (DO 7)	43-44-45
			16 (DO 8)	46-47-48



The Product contains electrical components
And may not be disposed together with domestic waste.
Equipment must be separate collected with Electrical and Elec-
tronic waste. According to Local and currently valid legislation.