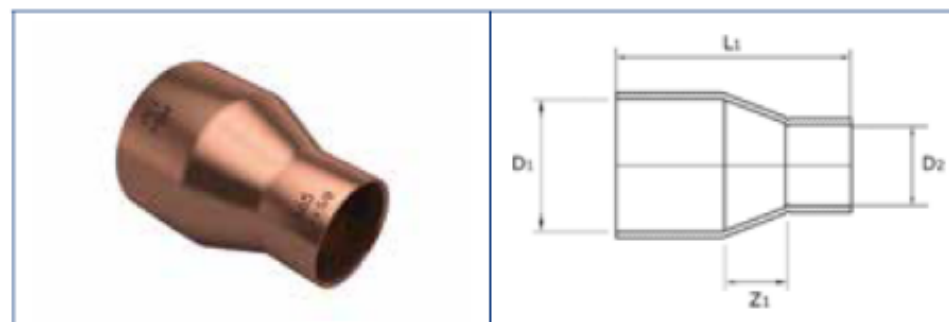


K5240 Reducing Coupler



Code	Size	L1	Z1	D1	D2
K5240004003000	1/2" x 3/8"	23.5	8	1/2"	3/8"
K5240005004000	5/8" x 1/2"	27	8	5/8"	1/2"
K5240006005000	3/4" x 5/8"	28.5	5.5	3/4"	5/8"
K5240007006000	7/8" x 3/4"	31	3	7/8"	3/4"
K5240009004000	1 1/8" x 1/2"	42	18.0	1 1/8"	1/2"
K5240009007000	1 1/8" x 7/8"	37	6	1 1/8"	7/8"
K5240011004000	1 3/8" x 1/2"	51	22.5	1 3/8"	1/2"
K5240011005000	1 3/8" x 5/8"	53	22.5	1 3/8"	5/8"
K5240011006000	1 3/8" x 3/4"	51	18.5	1 3/8"	3/4"
K5240011007000	1 3/8" x 7/8"	51	15.5	1 3/8"	7/8"
K5240011009000	1 3/8" x 1 1/8"	50.5	15	1 3/8"	1 1/8"
K5240013006000	1 5/8" x 3/4"	55	22.5	1 5/8"	3/4"
K5240013007000	1 5/8" x 7/8"	56	20.5	1 5/8"	7/8"
K5240013009000	1 5/8" x 1 1/8"	51	15.5	1 5/8"	1 1/8"
K5240013011000	1 5/8" x 1 3/8"	51	11	1 5/8"	1 3/8"
K5240017013000	2 1/8" x 1 5/8"	60	14	2 1/8"	1 5/8"