

PS4 series

Pressure controls




General information

PS4 Pressure Controls with fixed settings for various applications

Features

- High- and low-pressure controls
- Precise settings and repeatability
- Cable version with IP67 (IP00 for terminal QC version)
- Normally open/closed electrical contacts (under standard operating conditions)
- TÜV approved versions (W & B versions)
- Compatible with RoHS directive
- Minimum order quantity: 100 pieces per type for standard versions listed in selection tables

Markings

-  acc. to Low Voltage Directive 2014/35/EU and European scheme ENEC05
-  0035 according to Pressure Equipment Directive 2014/68/EU
-  Underwriter Laboratories File No. E258370

A1 A2L A3



molded cable
7/16-20UNF





PS4
QC
7/16-20UNF



molded cable
1/4" / 6 mm

NOTE: Product types for safety class A3, please refer to separate documents.

Type code

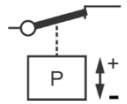
PS4	-  
<p>Product Name</p>	<p>Function</p> <p>A Pressure controls, automatic, high pressure or low pressure</p> <p>W Pressure limiters, automatic type approval acc. EN 12263, (EN 12263 & EN 378: PSL/ PSH)</p> <p>R Pressure controls, external manual reset (by hand)</p> <p>B Pressure limiters, external manual reset (by hand); type approval, acc. EN 12263, (EN 12263 & EN 378: PZH)</p>
<p>Electrical Connection</p> <p>1 silver contact with molded cable, normally closed (NC)</p> <p>2 silver contact with molded cable, normally open (NO)</p> <p>3 silver contact with quick connector QC (for push-on spades), normally closed (NC)</p> <p>4 silver contact with quick connector QC (for push-on spades), normally open (NO)</p> <p>5 gold-plated contact with molded cable, normally closed (NC)</p> <p>L silver contact with molded cable suitable for manual reset, normally closed (NC)</p>	

NOTE 1: QC – quick connector. push on spades size 6.4 x 0.8 mm (0.25" x 0.032")

NOTE 2: Non-standard versions result from combination of above function and electrical connection. Other settings than listed, upon request with minimum 5000 pieces for first order.

Selection Table - Low Pressure Controls

(Automatic Reset; Normally closed (NC), Open on Falling Pressure)



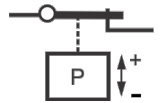
Type	Part No.	Setting		Electrical Connection Connector (QC) / Cable length**	P _{MAX} / PS	EN 12263	Type of contact	Pressure Connection
		Cut-out	Cut-in					
PS4-W1	808269	0.3 bar	1.5 bar	3.0 m	25 bar	PSL	silver	6 mm Brazing
PS4-A1	808266	0.4 bar	1.4 bar	1.5 m		-	silver	7/16-20UNF*
PS4-W1	808208	0.6 bar	1.8 bar	1.5 m		PSL	silver	7/16-20UNF*
PS4-W1	808251	0.6 bar	1.8 bar	3.0 m		PSL	silver	6 mm Brazing
PS4-W5	808289	0.6 bar	1.8 bar	1.5 m		PSL	gold-plated	6 mm Brazing
PS4-W1	808209	0.7 bar	2.1 bar	1.5 m		PSL	silver	7/16-20UNF*
PS4-W1	808241	0.7 bar	2.4 bar	3.0 m		PSL	silver	7/16-20UNF*
PS4-A1	808247	1.5 bar	2.5 bar	2.5 m		-	silver	7/16-20UNF*
PS4-A1	808229	1.5 bar	3.0 bar	1.5 m		-	silver	7/16-20UNF*
PS4-W1	808210	1.7 bar	3.4 bar	1.5 m		PSL	silver	7/16-20UNF*
PS4-W1	808249	1.7 bar	3.4 bar	1.5 m		PSL	silver	6 mm Brazing
PS4-W1	808271	1.8 bar	3.2 bar	1.5 m		PSL	silver	7/16-20UNF*
PS4-A1	808276	3.3 bar	4.8 bar	1.5 m		-	silver	7/16-20UNF*
PS4-W3	808235	0.6 bar	1.8 bar	QC		PSL	silver	7/16-20UNF*
PS4-W3	808284	1.2 bar	2.9 bar	QC		PSL	silver	6 mm Brazing
PS4-W3	808243	1.7 bar	3.4 bar	QC		PSL	silver	7/16-20UNF*

NOTE: *) female with Schrader valve opener

**) molded cable

Selection Table – High Pressure Controls

(Automatic Reset; Normally Closed (NC), Open on Rising Pressure)



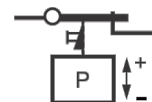
Type	Part No.	Setting		Electrical Connection Connector (QC) / Cable length**	P _{MAX} / PS	EN 12263	Type of contact	Pressure Connection
		Cut-out	Cut-in					
PS4-W1	808200	18 bar	13 bar	1.5 m	41 bar	PSH	silver	7/16-20UNF*
PS4-W1	808265	18 bar	13 bar	3.0 m		PSH	silver	6 mm Brazing
PS4-W1	808201	26 bar	20 bar	1.5 m		PSH	silver	7/16-20UNF*
PS4-W1	808224	26 bar	20 bar	3.0 m		PSH	silver	6 mm Brazing
PS4-W1	808282	24 bar	18 bar	5.0 m		PSH	silver	6 mm Brazing
PS4-A1	808260	26 bar	20 bar	1.5 m		-	silver	1/4" Brazing
PS4-W3	808236	26 bar	20 bar	QC		PSH	silver	7/16-20UNF*
PS4-W5	808288	26 bar	20 bar	1.5 m		PSH	gold-plated	6 mm Brazing
PS4-W1	808203	28 bar	21 bar	1.5 m	55 bar	PSH	silver	7/16-20UNF*
PS4-A1	808233	28 bar	21 bar	1.5 m		-	silver	7/16-20UNF*
PS4-A1	808244	28 bar	21 bar	1.5 m		-	silver	1/4" Brazing
PS4-A1	808237	29.5 bar	22.5 bar	1.5 m		-	silver	7/16-20UNF*
PS4-A1	808238	31 bar	24 bar	1.5 m		-	silver	7/16-20UNF*
PS4-A1	808248	32 bar	24 bar	2.5 m		-	silver	7/16-20UNF*
PS4-W3	808273	29 bar	22.8 bar	QC		PSH	silver	7/16-20UNF*
PS4-W1	808205	42 bar	33 bar	1.5 m	69 bar	PSH	silver	7/16-20UNF*
PS4-W1	808261	45 bar	35 bar	1.5 m		PSH	silver	6 mm Brazing
PS4-W3	808242	42 bar	33 bar	QC		PSH	silver	7/16-20UNF*
PS4-W5	808287	45 bar	34 bar	1.5 m		PSH	gold-plated	6 mm Brazing

NOTE: *) female with Schrader valve opener

**) molded cable

Selection Table – High Pressure Controls

(Manual Reset; Normally Closed (NC), Open on Rising Pressure)



Type	Part No.	Setting		Electrical Connection Connector (QC) / Cable length**	P _{MAX} / PS	EN 12263	Type of contact	Pressure Connection
		Cut-out	Cut-in***					
PS4-BL	808202	26 bar	-	1.5 m	41 bar	PZH	silver	7/16-20UNF*
PS4-BL	808204	28 bar	-	1.5 m	55 bar	PZH	silver	7/16-20UNF*
PS4-BL	808206	42 bar	-	1.5 m	68 bar	PZH	silver	7/16-20UNF*

NOTE: *) female with Schrader valve opener

**) molded cable

NOTE: ***) The manual reset actuation when the pressure drops 25% - 35% below set-point.

Selection Table – Fan control

(Automatic Reset; Normally Open (NO), Close on Rising Pressure)



Type	Part No.	Setting		Electrical Connection Connector (QC) / Cable length**	P _{MAX} / PS	EN 12263	Type of contact	Pressure Connection
		Cut-out	Cut-in					
PS4-A2	808212	13 bar	18 bar	1.5 m	41 bar	-	silver	7/16-20UNF*
PS4-W2	808274	14.6 bar	20 bar	1.5 m	41 bar	PSH	silver	7/16-20UNF*
PS4-A2	808263	16 bar	21.3 bar	1.5 m	41 bar	-	silver	7/16-20UNF*
PS4-A2	808264	17 bar	22.6 bar	1.5 m	41 bar	-	silver	7/16-20UNF*
PS4-A2	808213	18 bar	24 bar	1.5 m	41 bar	-	silver	7/16-20UNF*
PS4-W2	808227	22 bar	28 bar	1.5 m	55 bar	PSH	silver	7/16-20UNF*

NOTE: *) female with Schrader valve opener

**) molded cable

Technical Data

Type	Cable or Terminal (QC)* Version				Cable Version		
	PS4-A		PS4-W		PS4-B / PS4-R		
Setting (bar)	0 - 6.9	7 - 27.6	27.7 - 38	38.1 - 50	13.8-27.6	27.7 - 38	38.1 - 50
P _{MAX} / PS (bar)	25	41	55	69	41	55	68
Fluid group / Refrigerants (ASHARE)	I & II / (A1) & (A2L) Refrigerants, Mineral-. Synthetic-. POE-Lubricant						
Life time	> 100.000 cycles PS4-B... / PS4-R... versions 10.000 cycles (6.000 for UL approved)						
Vibration resistance	4 g (10...250 Hz)						
Temperature range	Medium: -40 °C...+135 °C				Ambient: -40 °C...+65 °C		
Hazard Category (PED 2014/68/EU)	PS4-W.. & PS4-B...versions: IV / Module B + D						
Weight	~ 100 g						
Markings							

Electrical Data

Type	Cable or Terminal (QC)* Version		Cable Version
	PS4-A	PS4-W	PS4-B / PS4-R
Silver contact:			
Inductive Load 230 VAC	0.1...6 A		0.1...6 A
Inductive Load (DC <28V)	2 A		2 A
Motor rating FLA 230 VAC	6 A		3 A
Motor rating LRA 230 VAC	36 A		15 A
Gold contact (12 / 24 VDC):	250 mA		-
Protection class (IEC 529 / DIN 40050)	IP67 (IP00 for Terminal QC Version)		
Cable Version	18 AWG 0.8 mm ² . 600 V (max. 125 °C)		
Cable Colour	Low pressure: (0...8.5 bar: blue) High Pressure: (>8.5 bar: black)		

Pressure setting (Cut-out) drifting:

PS4 factory setting is at 23 °C room temperature however, the setting will drift by other ambient and fluid temperatures. The table indicates the amount of drift in function of ambient and media temperature.

**PS4 safety pressure cut-out
Braze connection**

Media temp. (°C)	Ambient temperature (°C)									
	0	10	23	25	30	35	40	45	50	55
	Total drift of cut-out set point (%)									
80	+5	+2.8	*	*	*	*	-3.7	-4.8	-5.9	-7.0
85	+5	+2.8	*	*	*	*	-3.8	-4.9	-6.0	-7.1
90	+5	+2.8	*	*	*	*	-3.9	-5.0	-6.1	-7.2
95	+5	+2.8	*	*	*	*	-4.0	-5.1	-6.2	-7.3
100	+5	+2.8	*	*	*	*	-4.1	-5.2	-6.3	-7.4
105	+5	+2.8	*	*	*	*	-3.1	-4.2	-5.3	-6.4
110	+5	+2.8	*	*	*	*	-3.2	-4.3	-5.4	-6.5
115	+5	+2.8	*	*	*	*	-3.3	-4.4	-5.5	-6.5
120	+5	+2.8	*	*	*	*	-3.4	-4.5	-5.5	-6.6
125	+5	+2.8	*	*	*	*	-3.4	-4.5	-5.6	-6.7
130	+5	+2.8	*	*	*	*	-3.5	-4.6	-5.7	-6.8
135	+5	+2.8	*	*	*	*	-3.6	-4.7	-5.8	-6.9

**PS4 safety pressure cut-out
Thread connection 7/16-20 UNF**

Media temp. (°C)	Ambient temperature (°C)									
	0	10	23	25	30	35	40	45	50	55
	Total drift of cut-out set point (%)									
80	+5	+2.8	*	*	*	*	-3.7	-4.8	-5.9	-7.0
85	+5	+2.8	*	*	*	*	-3.9	-5.0	-6.1	-7.2
90	+5	+2.8	*	*	*	*	-4.1	-5.2	-6.3	-7.4
95	+5	+2.8	*	*	*	*	-3.2	-4.3	-5.4	-6.5
100	+5	+2.8	*	*	*	*	-3.4	-4.5	-5.6	-6.7
105	+5	+2.8	*	*	*	*	-3.6	-4.7	-5.8	-6.9
110	+5	+2.8	*	*	*	*	-3.8	-4.9	-6.0	-7.1
115	+5	+2.8	*	*	*	*	-4.0	-5.1	-6.2	-7.3
120	+5	+2.8	*	*	*	*	-3.2	-4.2	-5.3	-6.4
125	+5	+2.8	*	*	*	*	-3.4	-4.5	-5.5	-6.6
130	+5	+2.8	*	*	*	*	-3.6	-4.7	-5.7	-6.8
135	+5	+2.8	*	*	*	*	-3.8	-4.9	-6.0	-7.0

NOTE: European standard for high safety pressure switches permits maximum **+0% / -8%** of the setting at extreme operating conditions.

***) The device will cut-out anywhere from 0 to -3% from the cut-out.**

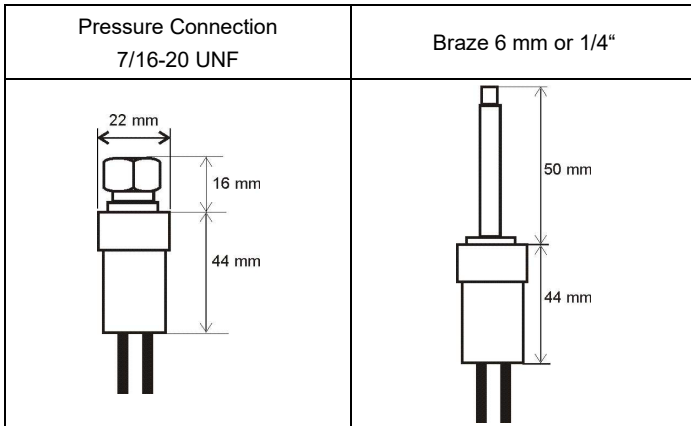
For low pressure switches with settings between 0 to 6.9 bar:

- type approval, version (W) according to EN 12263: -0 / +1 bar

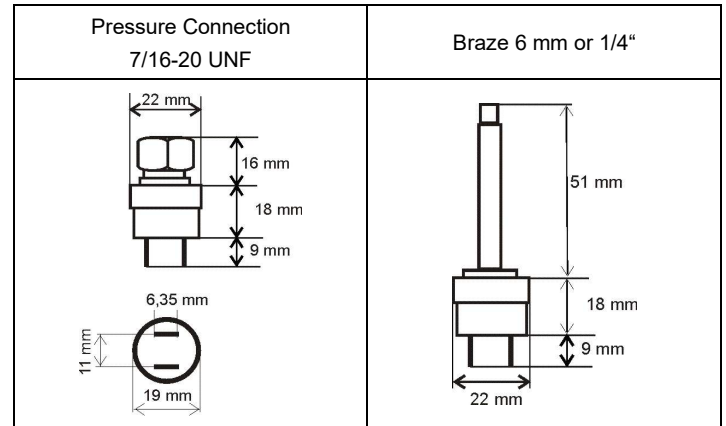
- standard version (A) according to EN 12263 -0.5 / +0.5 bar

Dimension (mm)

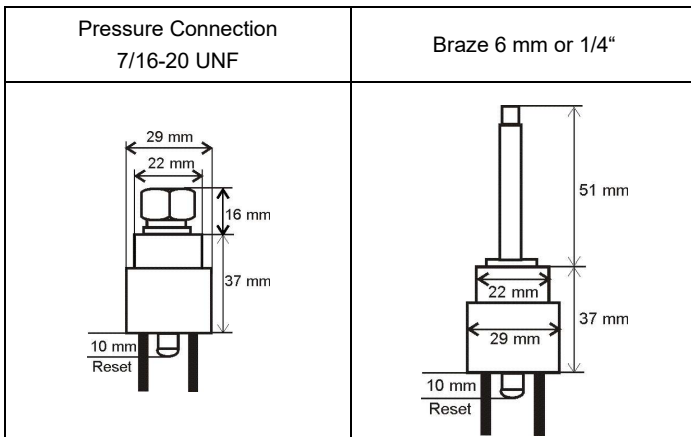
PS4-A... / PS4-W... cable version



PS4-A... / PS4-W... terminal version (QC)



PS4-B... / PS4-R... cable version



DISCLAIMER: The Copeland logo is a trademark and service mark of Copeland LP or one of its affiliates. Copeland Europe GmbH shall not be liable for errors in the stated capacities, dimensions, etc., as well as typographic errors. Products, specifications, assumptions, designs and technical data contained in this document are subject to modification by us without prior notice. Illustrations are not binding. ©2024 Copeland LP. All rights reserved.