

Date 18/7/2025
 For the attention of:
 Reference
 Operator



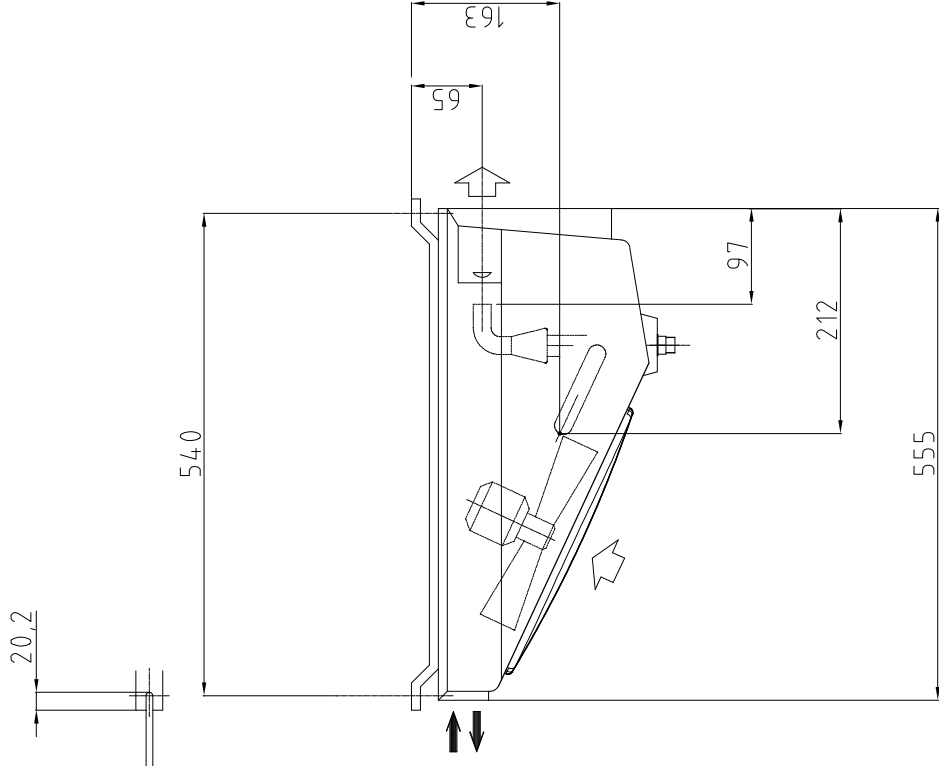
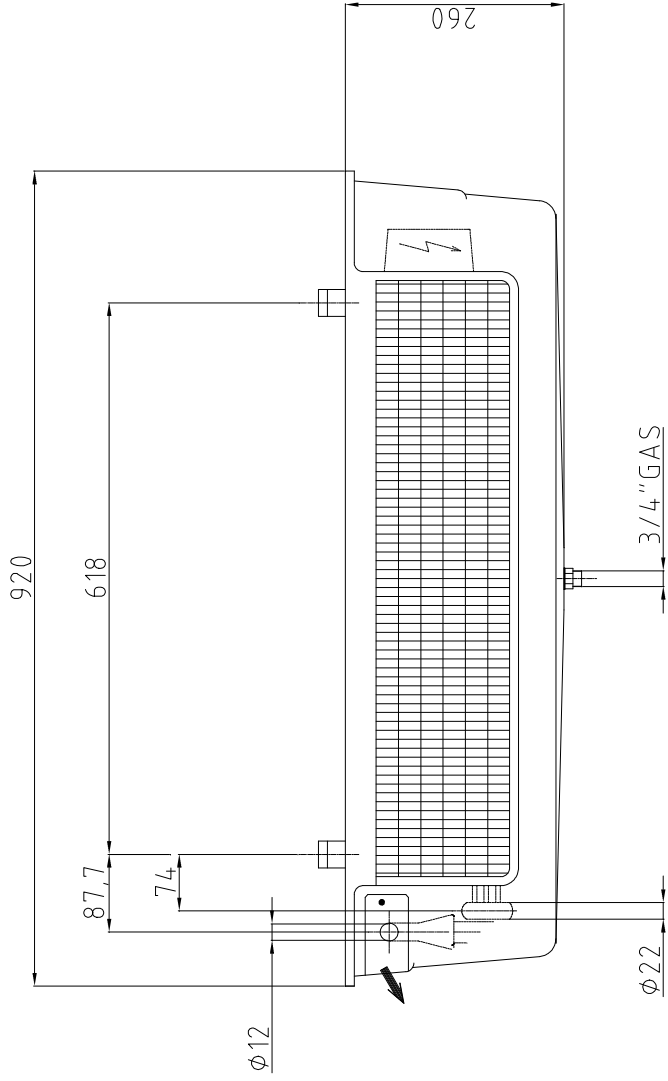
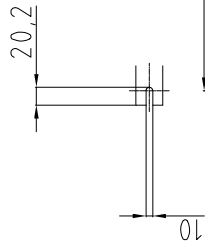
ANGLED UNIT COOLERS - CO2
Type: FHA 41 EC E 50 - CO2 DX
N. units: 1

Spec. CO2 - DX

Refriger (u) 2025 Ver. 2.4.3.410 - PRICE LIST 1/06/2025

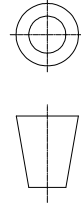
Inlet air temp. (room)	[°C]		-20,0
Room relative humidity	[%]		85
Refrigerant			CO2
Altitude	[m]		0
Residual static pressure	[Pa]		0
DT1 needed for unit cooler	[K]		5,0
Connection	230V-1PH-50Hz		EC FANS
Actual capacity	[W]		1.360
Air flow	[m3/h]		1.430,0
Air throw	[m]		12
Outlet air temperature	[°C]		-22,6
Evaporating temp	[°C]		-25,0
DT superheating	[K]		3,0
Temp. before expansion valve	[°C]		5,0
DT1	[K]		5,0
DTmlg	[K]		3,6
Fluid pressure drop	[K]		0,2
RC factor (Sensible capacity/Total capacity)	[%]		91,3
Fan motor consumpt.	[W]		34
Power draw	[A]		0,28
Max fan absorbed current*	[A]		0,36
Fan speed	[1/min]		1400 (Fixed speed)
Sound pressure level (5 m) 5	[dB(A)@5m]		45
Sound Power Level	[dB(A)]		70
Electric defrost (230 V)	[W]		900
N° Fans	[mm]	2 x 275	Weight [kg] 18
Poles	[n]	EC FANS	Connections in [n] x [mm] 1 x 10
Fin spacing	[mm]	4,5	Connections out [n] x [mm] 1 x 10
Internal volume	[dm3]	1,0	Drain tray connection ["] 3/4
Surface	[m2]	7,7	Overall dimensions [mm] 920 x 555 x 260
Max Working pressure	[bar]	60,0	
Casing material	Safeshell plastic material, white		Fin material Al
Header material	Cu		Tube material Cu

* Refer to LU-VE S.p.A. instruction manuals for details, data and standards. Noise level in 5m free field. The current may increase according to temperature frost quantity, external static pressure. The weight and dimensions are not valid for all possible configurations. All fans are ErP 2015-compliant (Directive 2009/125/EC Energy-related products). LU-VE S.p.A. reserves the right to modify and correct at any time, with or without notice, the specifications and prices listed in the Refriger software. For products manufactured in the Russian Federation please contact the sales office. Specification related to ventilator voltage (Volt), current (Ampere), electrical power (kW) are available [here](#). The specification is related to a single ventilator.
 EUROVENT – CERTIFY ALL! Eurovent certification guarantees thermal performance, sound specifications, electrical power consumption, air volume flows. The certified performances and conditions in this software are in line with performances and conditions published on EUROVENT website.
 LU-VE Group participates in the ECP programme for HE. Check ongoing validity of certificate and performance on www.eurovent-certification.com.
 The EUROVENT certification refers to the unit in standard configuration, additional options may impact on declared reference performance.



Date 06-08-2015

Scale 1:1



Type: FHA 41 EC E 50 - C02 DX

Code: FHAEC41C02E



LU-VE
exchangers

Standard unit without accessories. For the connections please refer to the data sheet.