

Date 18/7/2025  
 For the attention of:  
 Reference  
 Operator



## ANGLED/CABINET UNIT COOLERS

**Type: SHS 26 E**

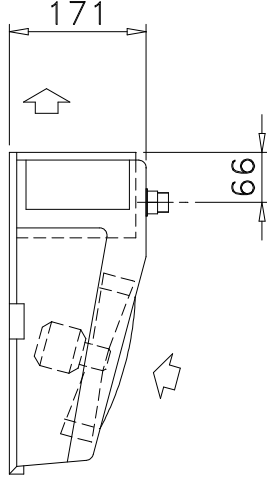
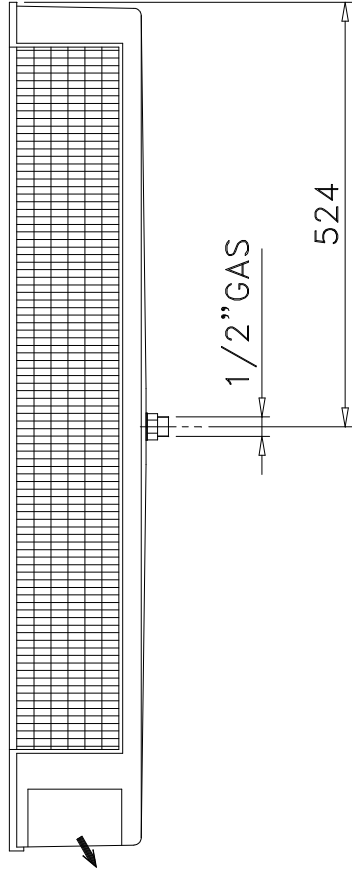
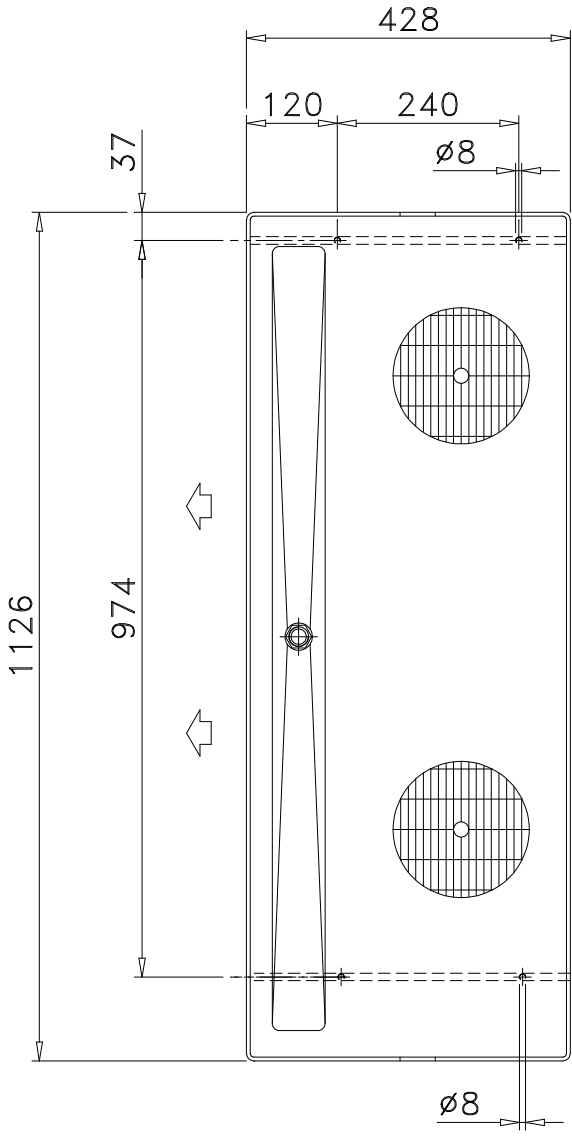
**N. units: 1**

Refriger (u) 2025 Ver. 2.4.3.410 - PRICE LIST 1/06/2025

Inlet air temp. (room)	[°C]		2,0
Room relative humidity	[%]		85
Refrigerant			R449A
Altitude	[m]		0
Residual static pressure	[Pa]		0
DT1 needed for unit cooler (Dew)	[K]		10,0
<b>Connection</b>	<b>230V-1PH-50Hz</b>		
<b>Actual capacity</b>	<b>[W]</b>		<b>2.060</b>
Air flow	[m3/h]		980,0
Air throw	[m]		6
Outlet air temperature	[°C]		-2,6
Evaporating temp (Dew)	[°C]		-8,0
DT superheating (Dew)	[K]		5,0
Temp. before expansion valve	[°C]		30,0
DT1 (Dew)	[K]		10,0
DTmlg	[K]		7,5
Fluid pressure drop	[K]		3,1
RC factor (Sensible capacity/Total capacity)	[%]		71,6
Energy efficiency class			D
Fan motor consumpt.	[W]		70
Power draw	[A]		0,44
Max fan absorbed current*	[A]		0,44
Fan speed	[1/min]		1400
Sound pressure level (5 m) 5	[dB(A)@5m]		41
Sound Power Level	[dB(A)]		66
Electric defrost (230 V)	[W]		825
N° Fans	[mm]	2 x 230	Weight [kg] 10
Poles	[n]	4	Connections in [n] x [mm] 1 x 9
Fin spacing	[mm]	5	Connections out [n] x [mm] 1 x 9
Internal volume	[dm3]	0,84	Drain tray connection ["] 1/2
Surface	[m2]	5,4	Overall dimensions [mm] 1.126 x 428 x 171
<b>Max Working pressure</b>	<b>[bar]</b>	<b>24,0</b>	
Casing material	Safeshell plastic material, white	Fin material	Al
Header material	Cu	Tube material	Cu

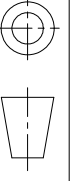
**(2023 thresholds)**

\* Refer to LU-VE S.p.A. instruction manuals for details, data and standards. Noise level in 5m free field. The current may increase according to temperature frost quantity, external static pressure. The weight and dimensions are not valid for all possible configurations. All fans are ErP 2015-compliant (Directive 2009/125/EC Energy-related products). LU-VE S.p.A. reserves the right to modify and correct at any time, with or without notice, the specifications and prices listed in the Refriger software. For products manufactured in the Russian Federation please contact the sales office. Specification related to ventilator voltage (Volt), current (Ampere), electrical power (kW) are available [here](#). The specification is related to a single ventilator.



Date 14-10-2000

Scale 1:10



Type: SHS 26 E

Code: 10050720



Standard unit without accessories. For the connections please refer to the data sheet.