

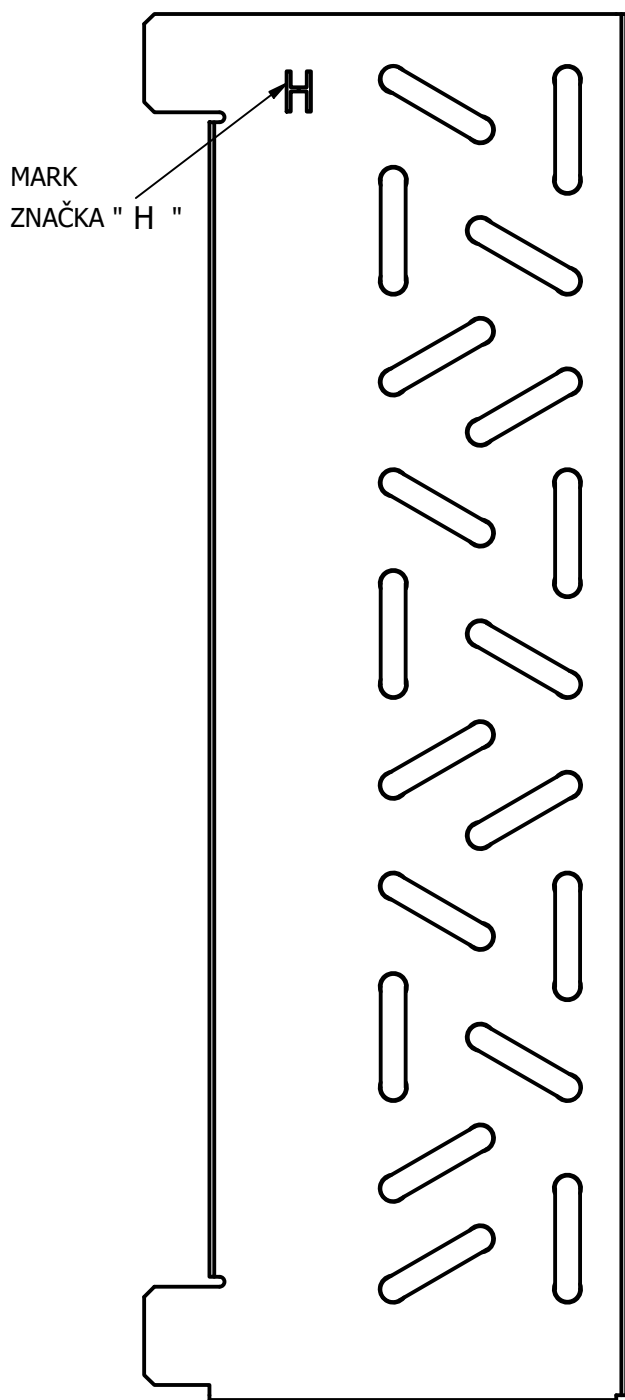
DIAGRAM ZAPOJENÍ VLÁSENEK A OBLOUKŮ

SAP číslo výměníku: **10143256/AC**

HAIRPIN SIDE VIEW

Pohled VLÁSENKY

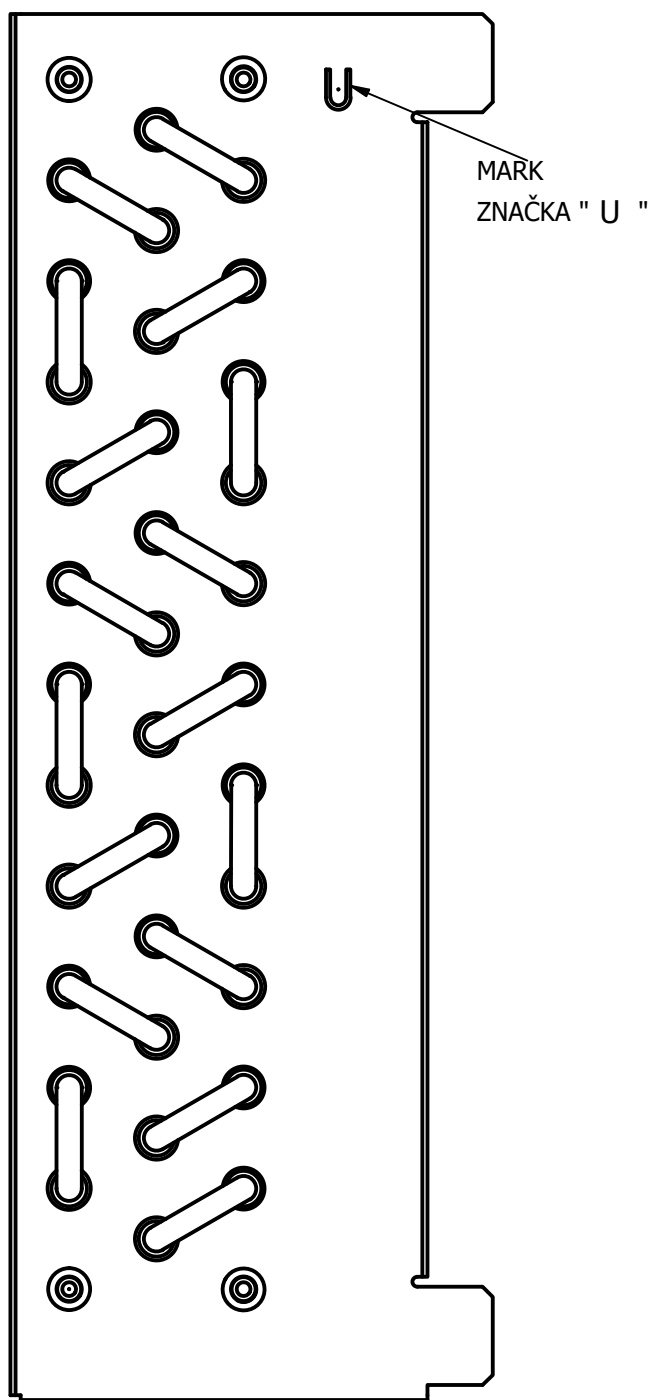
30234169/AB



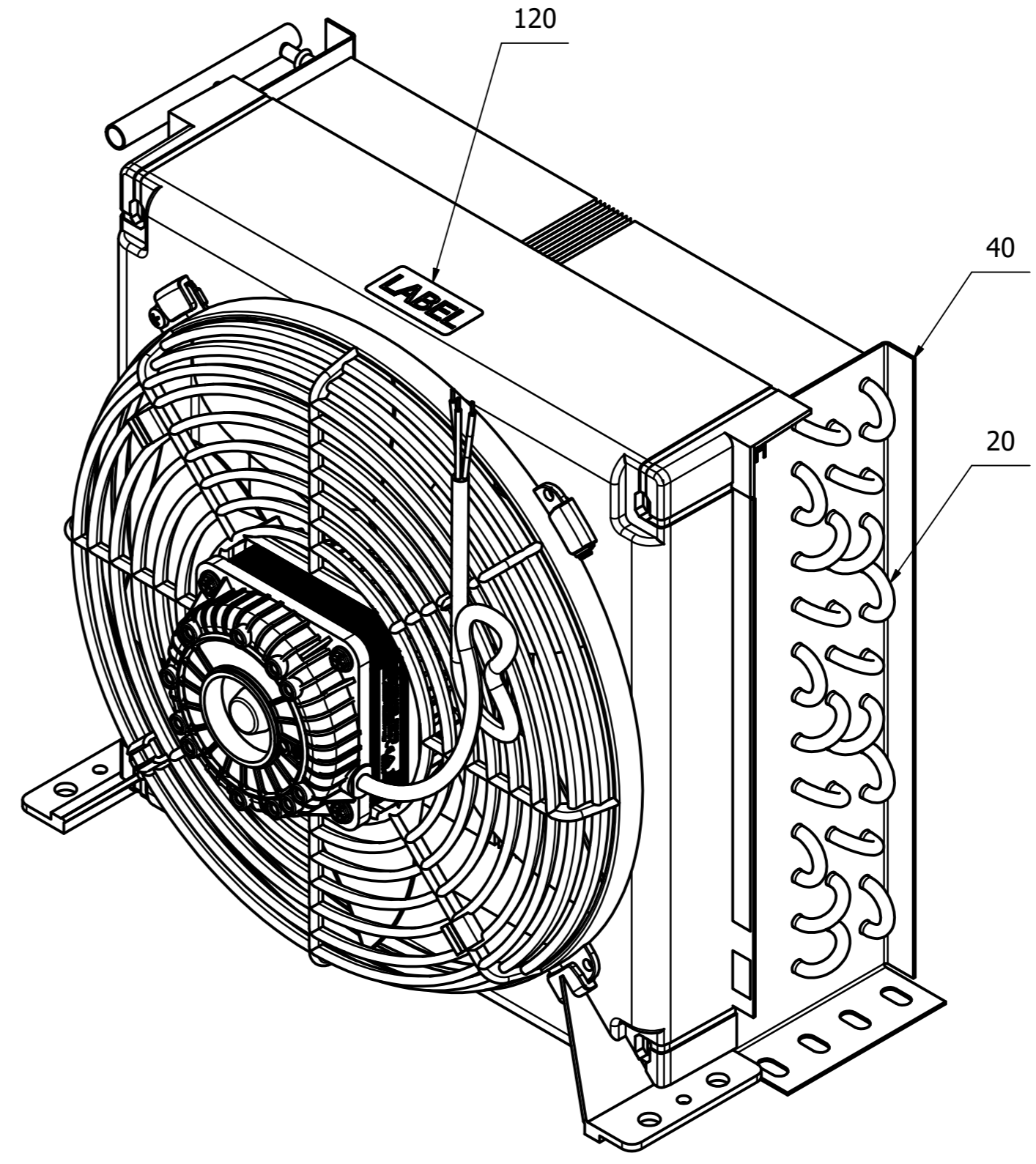
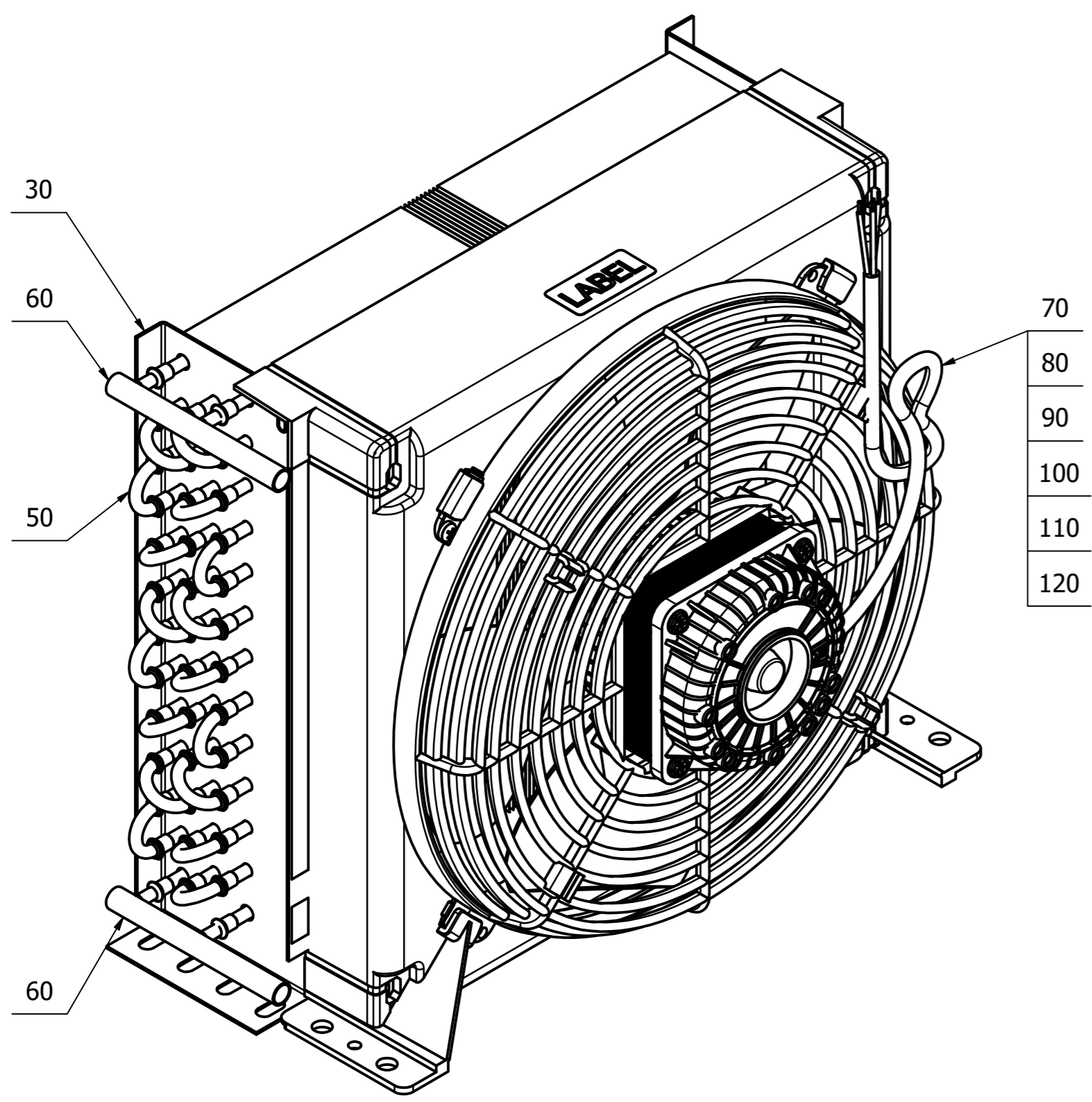
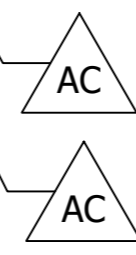
U-BEND SIDE VIEW

Pohled U-OBLOUKY

30234168/AB



POS.	TITLE	DESCRIPTION	MATERIAL	SAP Nr.	REV.	Ks.
10	FIN BLOCK_20x17,3_X_021_13_3_270_0		Všeobecné	31044102	AA	1
20	HAIRPIN 5x0,21/0,15-314R20	Tube Ø5x0,21/0,15-636	Copper	31712266	AA	19
30	E PLATE_U_T13R3Ø5_20x17_FeZn		FeZn;DIN EN 10142 DX51D+Z200-N-A	30234168	AB	1
40	E PLATE_H_T13R3Ø5_20x17_FeZn		FeZn;DIN EN 10142 DX51D+Z200-N-A	30234169	AB	1
50	BEND_D5_X0.5_Cu_20_H19_with solder	Tr. 5x0,5-44,4	Cu - DIN EN 12735	32011254	AA	17
60	HA_D_Ø9.525.00x			30248929	AB	2
70	CONVOGLIATORE CF27 (N.F.S.)	FAN COVER CF 27	PET Plastic	30087576	AA	1
80	GRIGLIA CF27 (N.F.S.)	FAN GRID CF 27	PET Plastic	30087581	AA	1
90	ELEC MOT_W11_4_230/1		Generic	30094123	AA	1
100	VENTOLA DIAM. 254-26-5A		Generico	30087532	AA	1
110	SCREW_SELF_D_4,2_X9,5_A2_DIN7981 C-H	-	Nerezavějící ocel	30228163	AA	1
120	STICKER HTS-OEM 42x20mm		Generico	30228121	AB	1



STATUS: Pending	CHANGE NR.: AC	CHANGE REASON: ZR108/24 New label, added marks on the end plates.	CHANGE DATE-HOUR: 04-Mar-2024 09:45	ISSUE: 03
GENERAL TOL.: ISO 2768-c	PROJECTION:	MATERIAL CODE: 10143256	CUSTOMER: FRIGO PLUS	
DESCRIPTION: 05G1720P021L0270R03T13C0F2		 Heat Transfer Systems, s.r.o. Novosedly na Moravě 238 (ZIP Code 691 62) Czech Republic Tel: 00420519501401 - Fax: 00420519501403 www.htsystems.cz - e-mail: HTS@luvegroup.com		
TREATMENT: ---	WEIGHT: 5,5 kg	DRAW DATE: 29/02/2024	APPROVED BY: T.Vasicek	DRAW BY: P.Klein

CUSTOMER MATERIAL CODE CAVF 113-5mm	TEST PRESSURE 30 Bar	GEOMETRY	TUBE CU Ø5 Grooved
CUSTOMER DRAWING Nr -----	PS REF. TO PED 27 Bar	TUBE x ROW SPACE 20x17,3 mm	FINS AL Louvered
NITROGEN CHARGE YES	DESIGN PRESSURE REF. TO UL 0 Bar	Nr OF TUBES Nr OF ROWS 13 3	END PLATES Thk. 1 mm FEZN
REFRIGERANT PEDGr2 - PED FLUID GROUP 2	TS MIN TS MAX	FIN SPACE 2,1 mm	COVER PLATES ---

MAN. INS. CODE: DATE: DRAW BY: DESCRIPTION: TOLERANCES FOR CONNECTIONS UNLESS OTHERWISE SPECIFIED: ±3 mm, ±3°

This drawing is the property of LU-VE Group, any reproduction and/or distribution without LU-VE Group approval is unlawful.