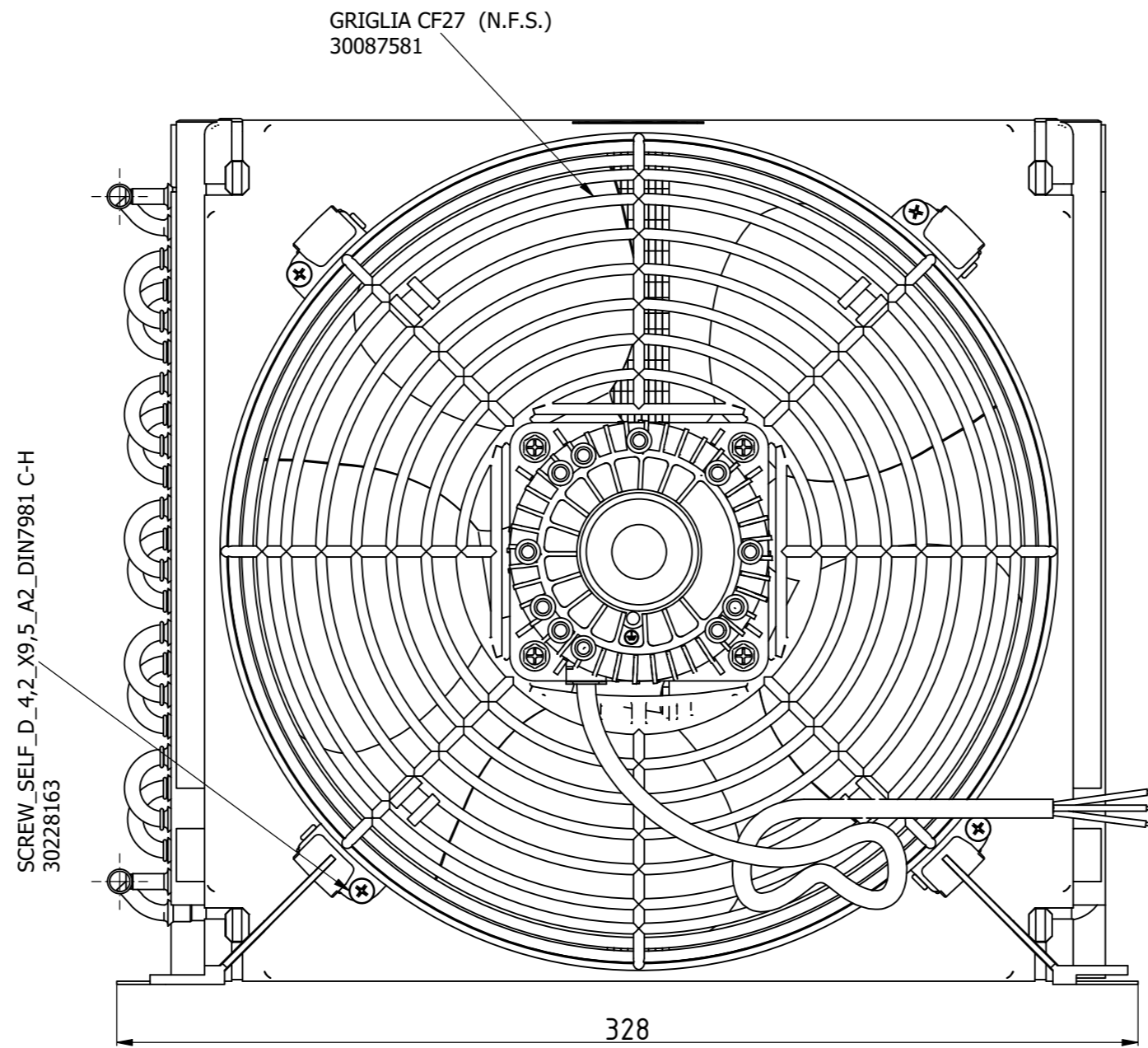
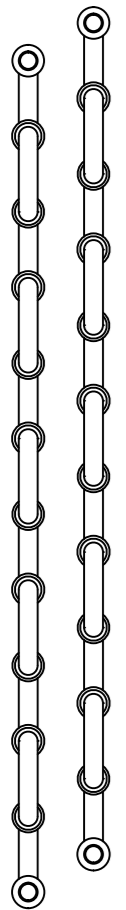


STRIP 8x10x600 (self-sticking)
Pěnový pásek 8x10x600 (samolepící)
SAP: 30228790

Diagram

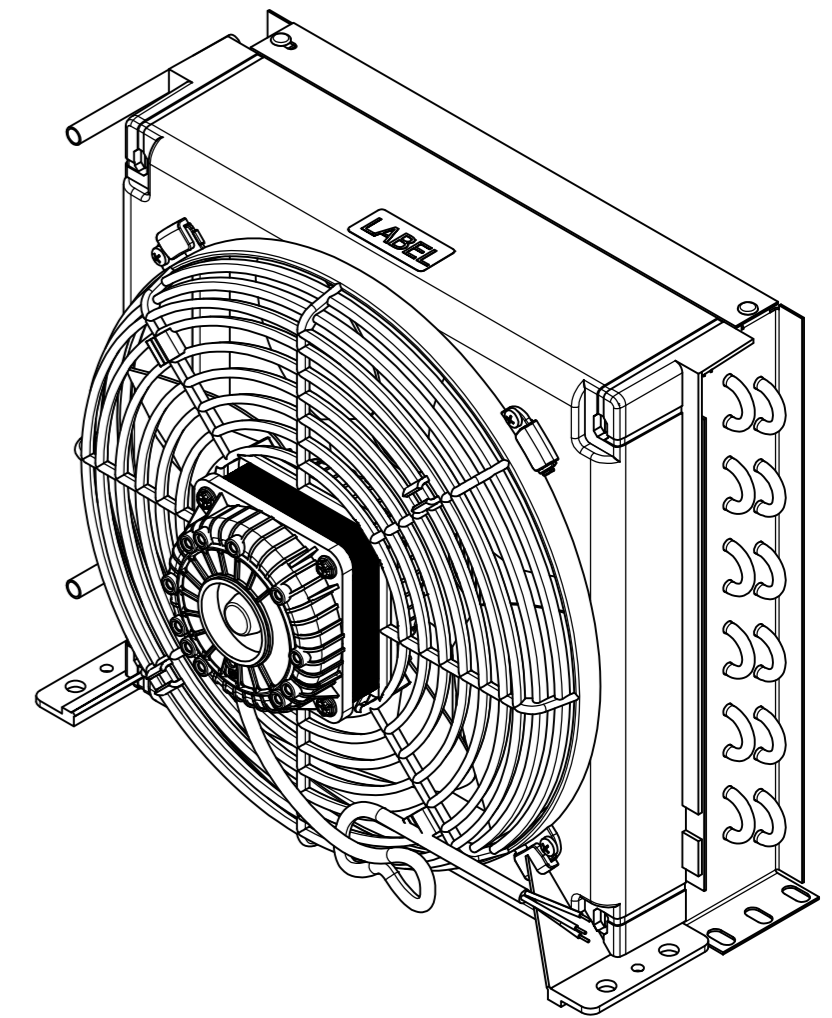
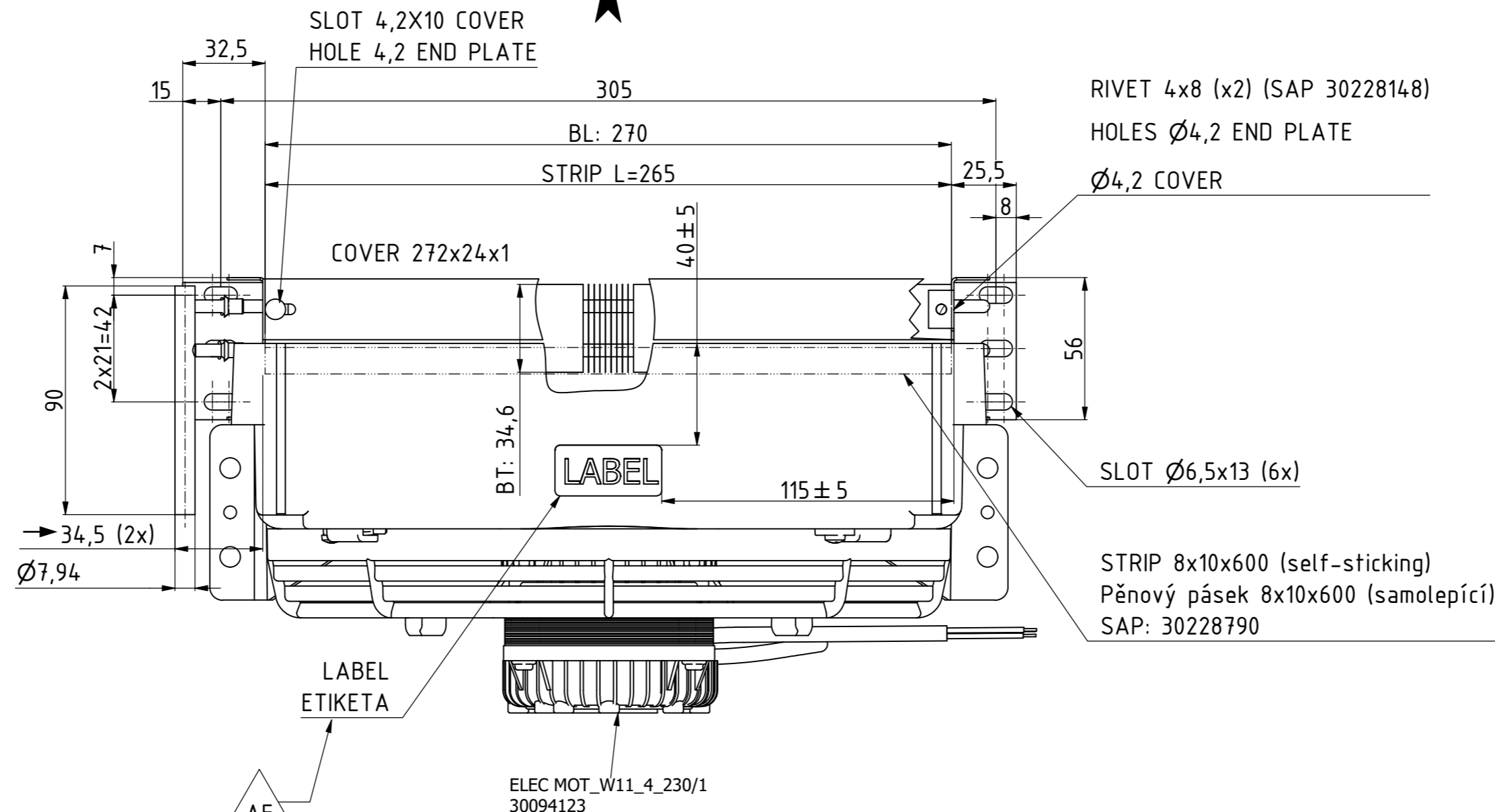
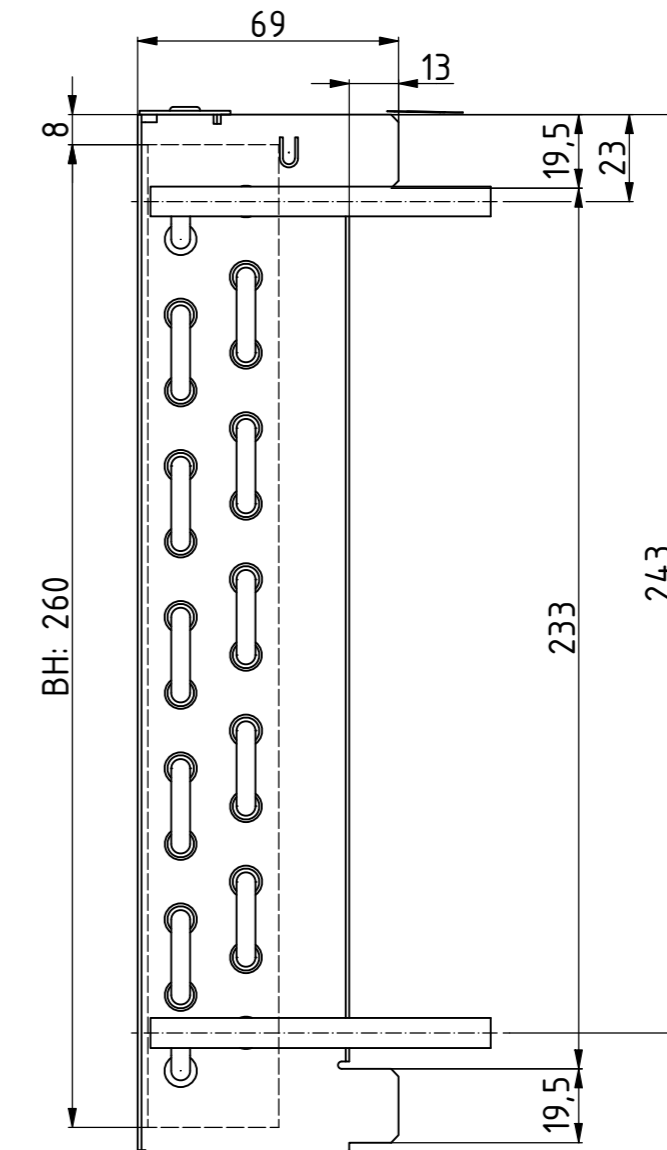


Tulipány: 15 (Tulips oversize)
Přesah oblouků: 28-2 (U-bends oversize)

Směr vzduchu

Přesah vlásenek: 14+1 (Hairpins oversize)

Pohled znázorněn bez ventilátoru
View without fan



ONLY FOR HTS
Label Type 01
according
specification
KN 4000

LABEL
ETIKETA

Montáž oběžného
kola dle TSI 405-TL.

CUSTOMER MATERIAL CODE CAVF 112 / 47030	TEST PRESSURE 30 Bar	GEOMETRY	TUBE CU Ø5	Grooved
CUSTOMER DRAWING Nr	PS REF. TO PED 27 Bar	TUBE x ROW SPACE 20x17,3 mm	FINS AL	Louvered
NITROGEN CHARGE YES	DESIGN PRESSURE REF. TO UL 0 Bar	Nr OF TUBES Nr OF ROWS 13 2	END PLATES	Thk. 1 mm FEZN
REFRIGERANT PEDGr2 - PED FLUID GROUP 2	TS MIN TS MAX -40 °C +125 °C	FIN SPACE 2,1 mm	COVER PLATES	----

STATUS: Pending	CHANGE NR.: AF	CHANGE REASON: ZR107/24 New drawing stamp. label	CHANGE DATE-HOUR: 04-Mar-2024 12:33	ISSUE: 06
GENERAL TOL.: ISO 2768-c		PROJECTION: MATERIAL CODE: 10203987	CUSTOMER: FRIGO PLUS	
DESCRIPTION: 05G1720P021L0270R02T13C0F0				
TREATMENT: -----	COLOR: -----	Heat Transfer Systems, s.r.o.		
WEIGHT: 3,7 kg	DRAW DATE: 29/02/2024	APPROVED BY: T.Vasicek	DRAW BY: P.Klein	Novosedly na Moravě 238 (ZIP Code 691 62) Czech Republic Tel: 00420519501401 - Fax: 00420519501403 www.htsystems.cz - e-mail: HTS@luvegroup.com

This drawing is the property of LU-VE Group, any reproduction and/or distribution without LU-VE Group approval is unlawful.

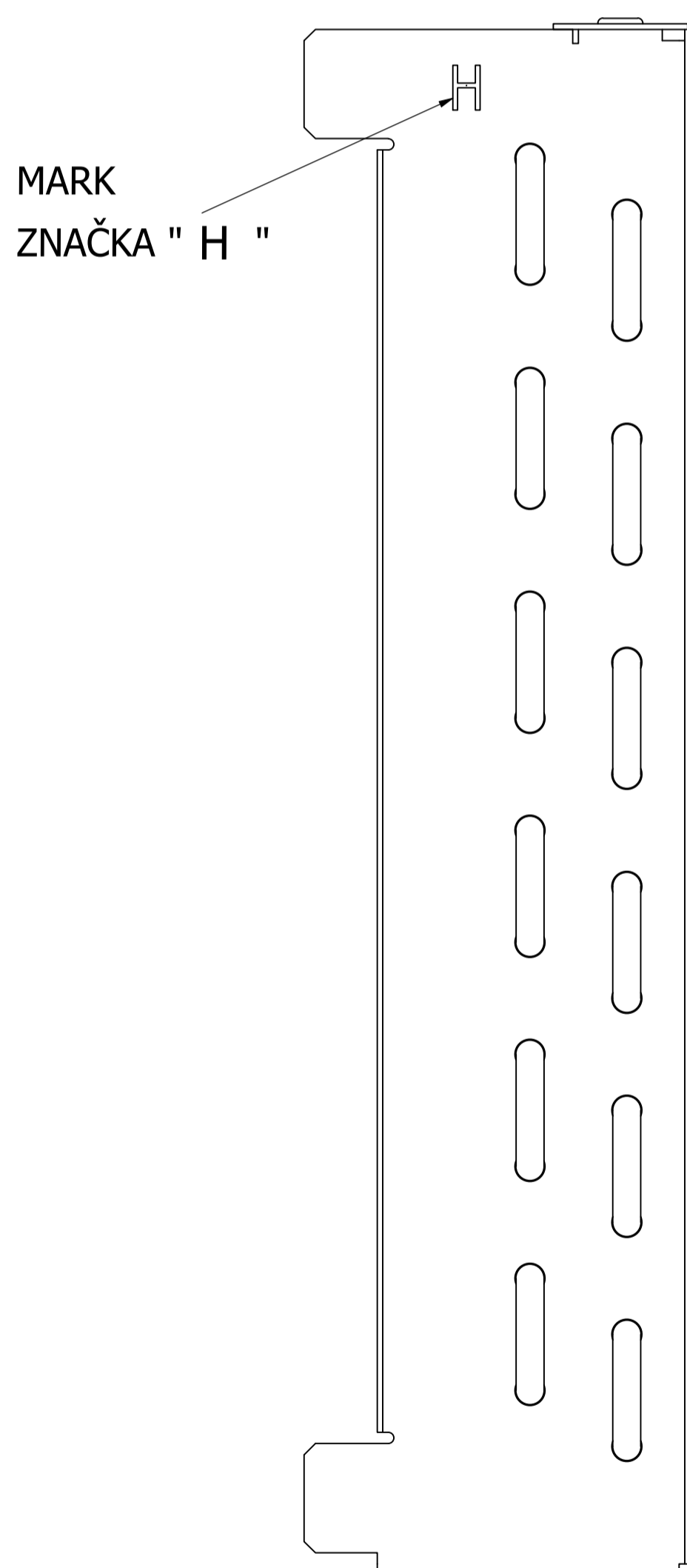
DIAGRAM ZAPOJENÍ VLÁSENEK A OBLOUKŮ

SAP číslo výměníku: **10203987/AF**

HAIRPIN SIDE VIEW

Pohled VLÁSENKY

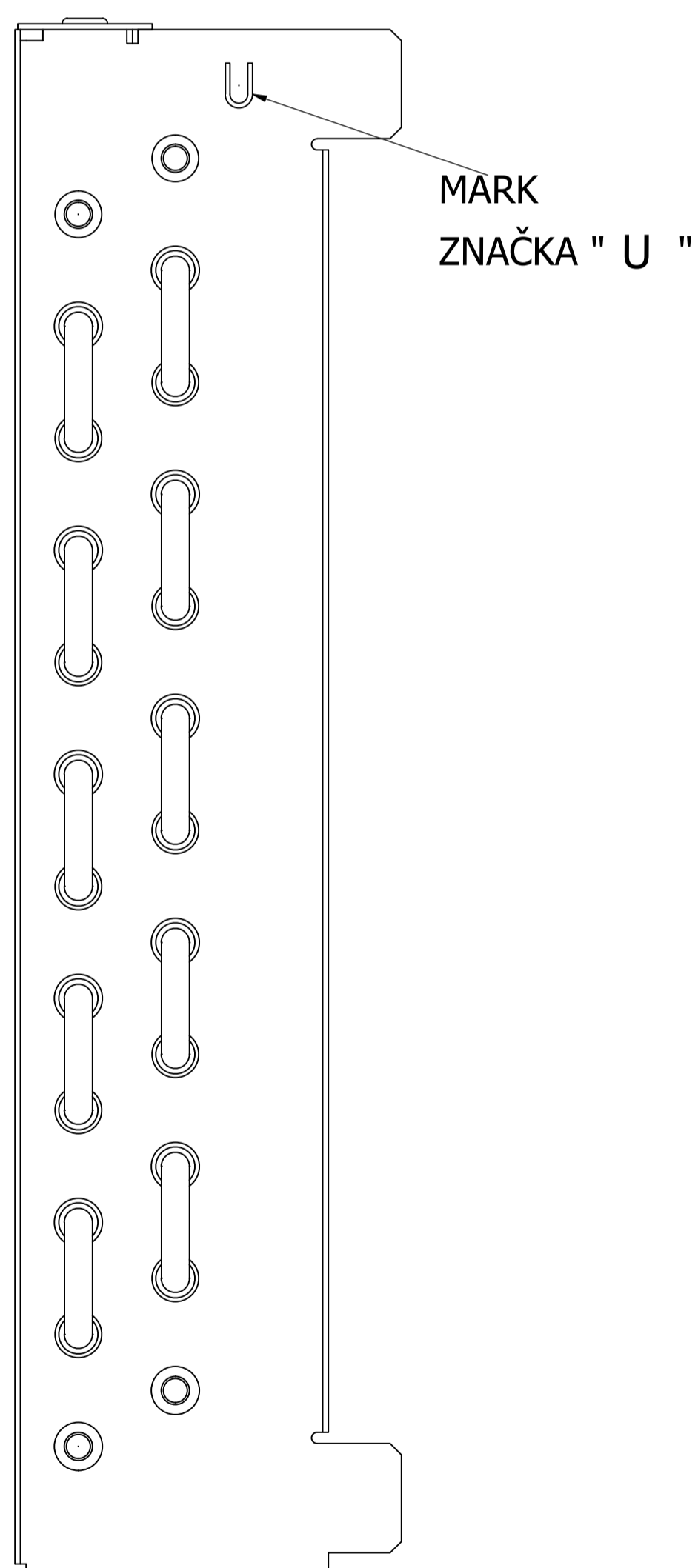
31078716/AC



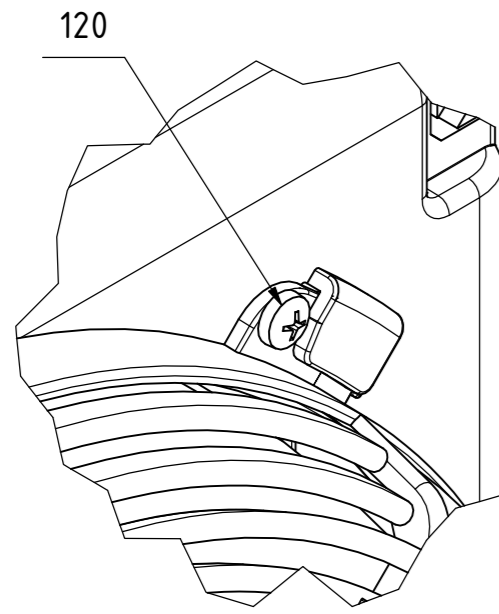
U-BEND SIDE VIEW

Pohled U-OBLOUKY

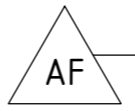
31078707/AC



B (1:1)

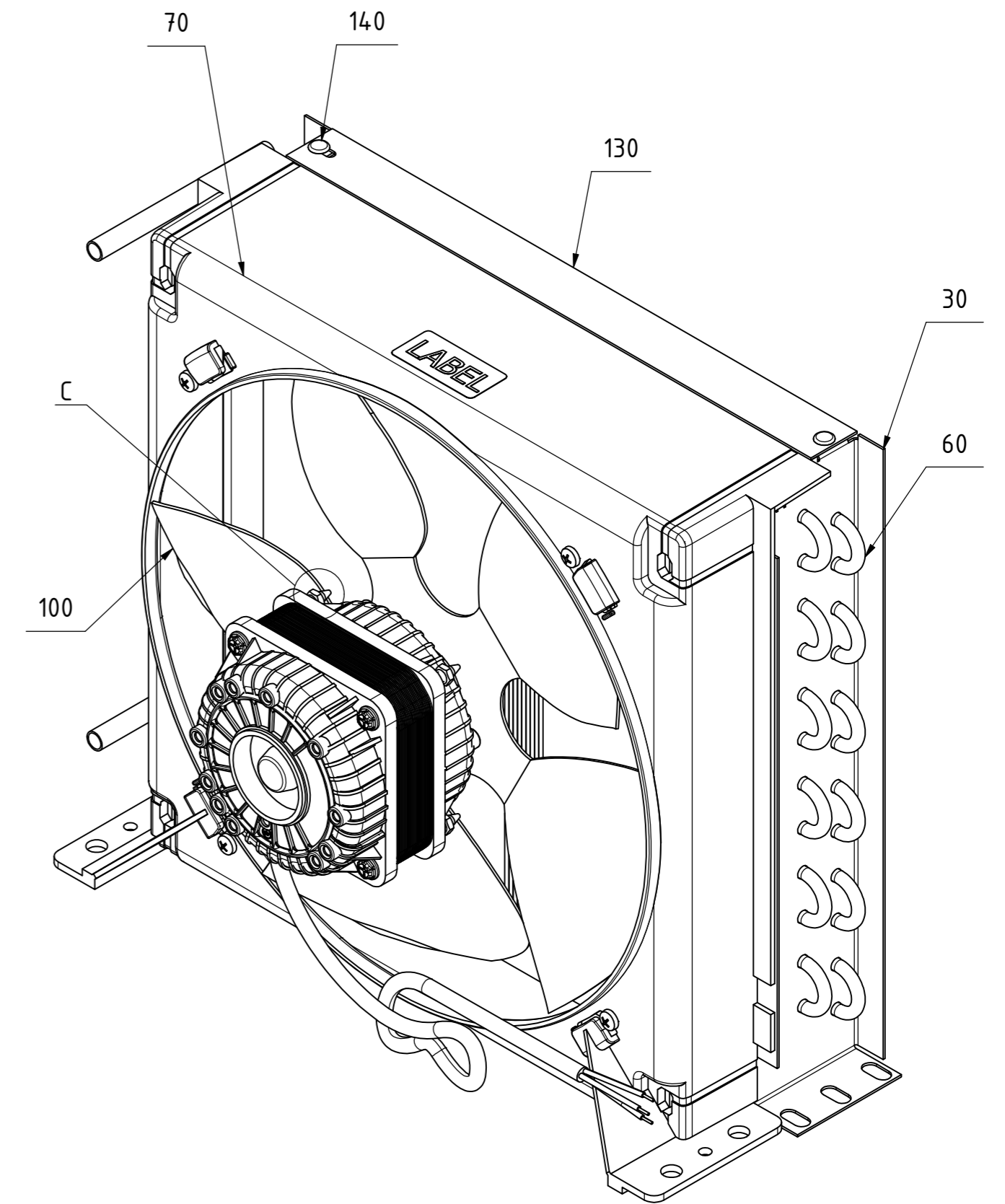
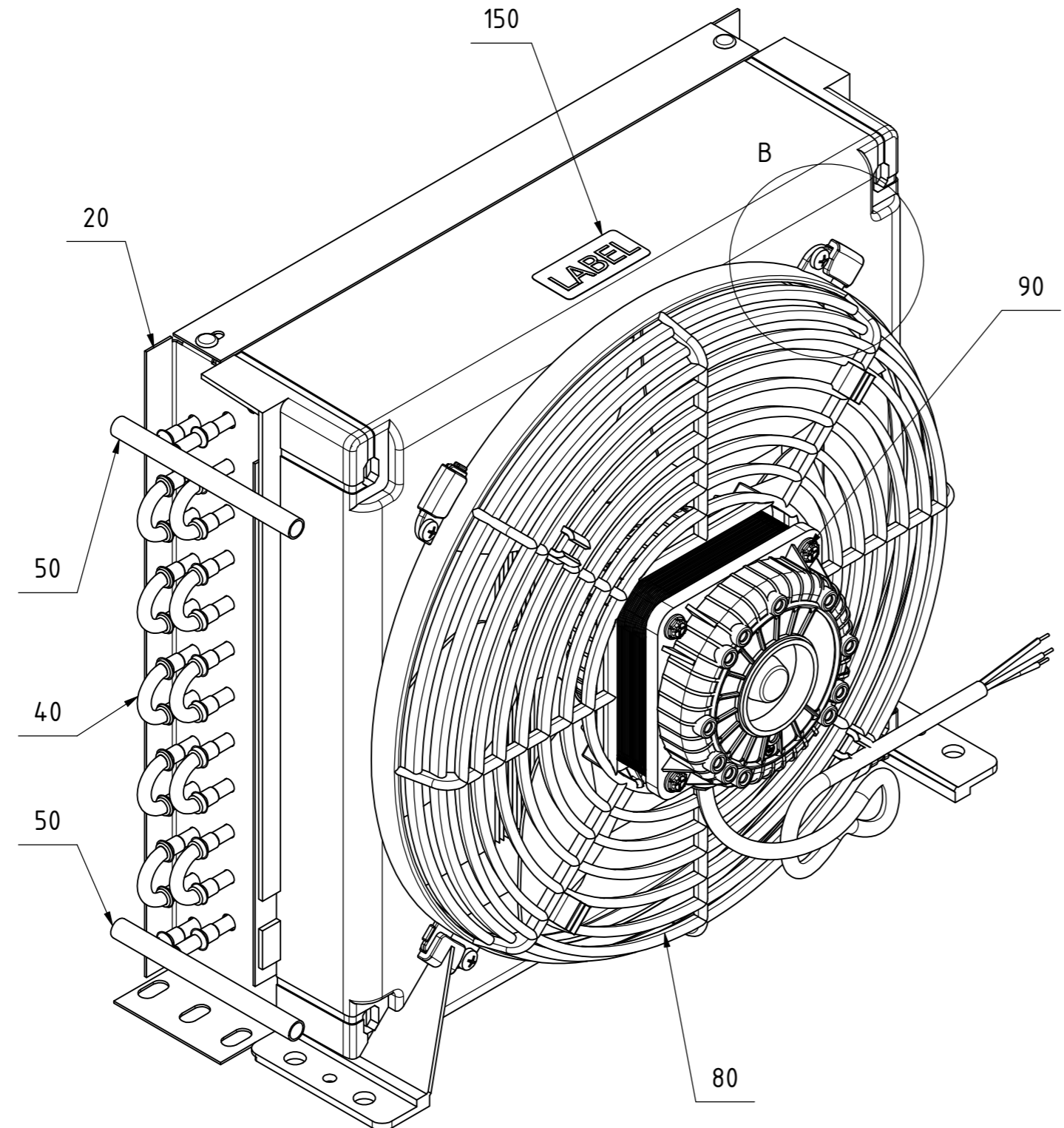
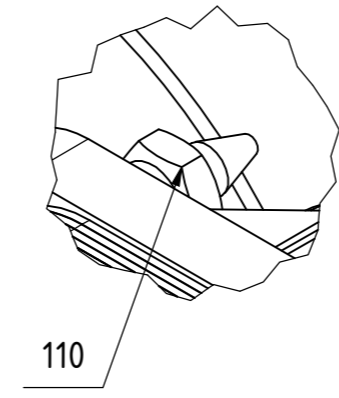


POS.	TITLE	DESCRIPTION	MATERIAL	SAP Nr.	REV.	Ks.
10	FIN BLOCK_20x17,3_X_21_13_2_270_0		Výchozí	31025337	AA	1
20	END PLATE_U_T12_R2_D5_20x17,3_FEZN		FeZn,DIN EN 10142 DX51D+Z200-N-A	31078707	AC	1
30	END PLATE_H_T12_R2_D5_20x17,3_FEZN		FeZn,DIN EN 10142 DX51D+Z200-N-A	31078716	AC	1
40	BEND_D5_X0.5_Cu_20_H19_with solder	Tr. 5x0,5-44,4	Cu - DIN EN 12735	32011254	AA	10
50	HA_D_Ø7.94N2			30248924	AB	2
60	HAIRPIN_CU_G_D5X0.21/0.15_20_316_0_A270	TR. Ø5x0,21/0,15-635.968	Cu - EN 12735	30248923	AA	12
70	CONVOGLIATORE CF27 (N.F.S.)	FAN COVER CF 27	PET Plastic	30087576	AA	1
80	GRIGLIA CF27 (N.F.S.)	FAN GRID CF 27	PET Plastic	30087581	AA	1
90	ELEC MOT_W11_4_230/1		Generic	30094123	AA	1
100	FAN_De254_Di46_PRE_A26_No5		Všeobecné	30087585	AB	1
110	NUT_TE_M4_A2_DIN 934		STAINLESS STEEL A2 / DIN 934	30228135	AA	4
120	SCREW_SELF_D_4,2_X9,5_A2_DIN981 C-H	-	Nerezavějící ocel	30228163	AA	4
130	SUPPORT_FEZN		Ogólny	31078698	AB	1
140	RIVET_Ø4.00x7.00_Al-FeZn	Rivet 4.0x7 Al/FeZn	AlMg3	30228148	AB	2
150	STICKER HTS-OEM_42x20mm		Generico	30228121	AB	1



VIEW WITHOUT FAN GRID
POHLED BEZ MŘÍŽKY VENTILÁTORU

C (2:1)



STATUS: Pending	CHANGE NR.: AF	CHANGE REASON: ZR107/24 New drawing stamp. label	CHANGE DATE-HOUR: 04-Mar-2024 12:33	ISSUE: 06
GENERAL TOL.: ISO 2768-c			PROJECTION: FIRST ANGLE	MATERIAL CODE: 10203987
DESCRIPTION: 05G1720P02110270R02T13C0F0			CUSTOMER: FRIGO PLUS	
TREATMENT: -----		COLOR: -----		
WEIGHT: 3,7 kg	DRAW DATE: 29/02/2024	APPROVED BY: T.Vasicek	DRAW BY: P.Klein	

CUSTOMER MATERIAL CODE CAVF 112 / 47030	TEST PRESSURE 30 Bar	GEOMETRY	TUBE CU Ø5	Grooved
CUSTOMER DRAWING Nr	PS REF. TO PED 27 Bar	TUBE x ROW SPACE 20x17,3 mm	FINS AL	Louvered
NITROGEN CHARGE YES	DESIGN PRESSURE REF. TO UL 0 Bar	Nr OF TUBES Nr OF ROWS 13 2	END PLATES	Thk. 1 mm FEZN
REFRIGERANT PEDGr2 - PED FLUID GROUP 2	TS MIN TS MAX -40 °C +125 °C	FIN SPACE 2,1 mm	COVER PLATES	----

TOLERANCES FOR CONNECTIONS UNLESS OTHERWISE SPECIFIED: ±3 mm, ±3°