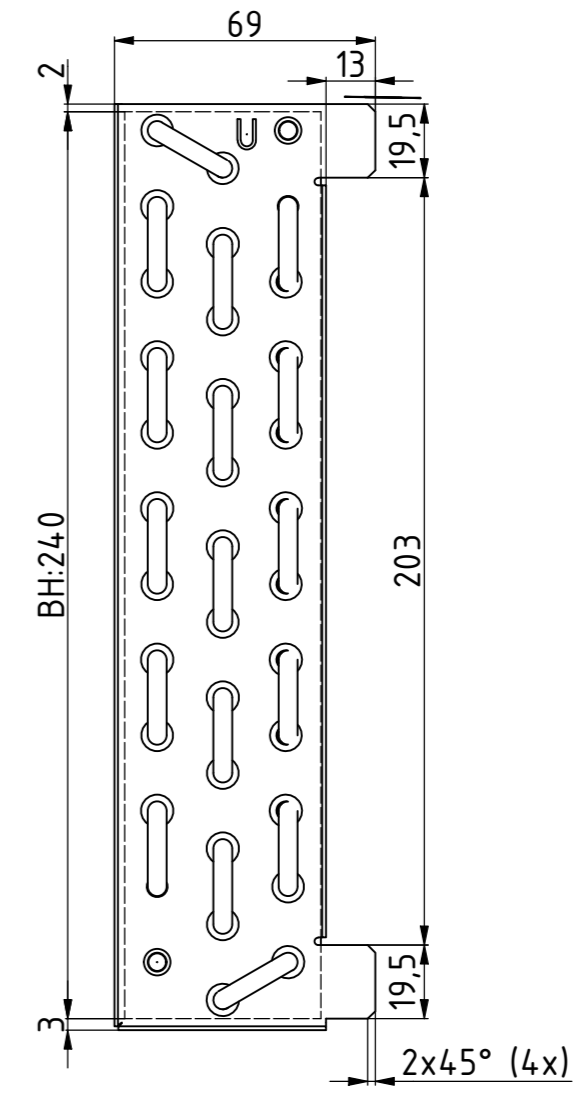
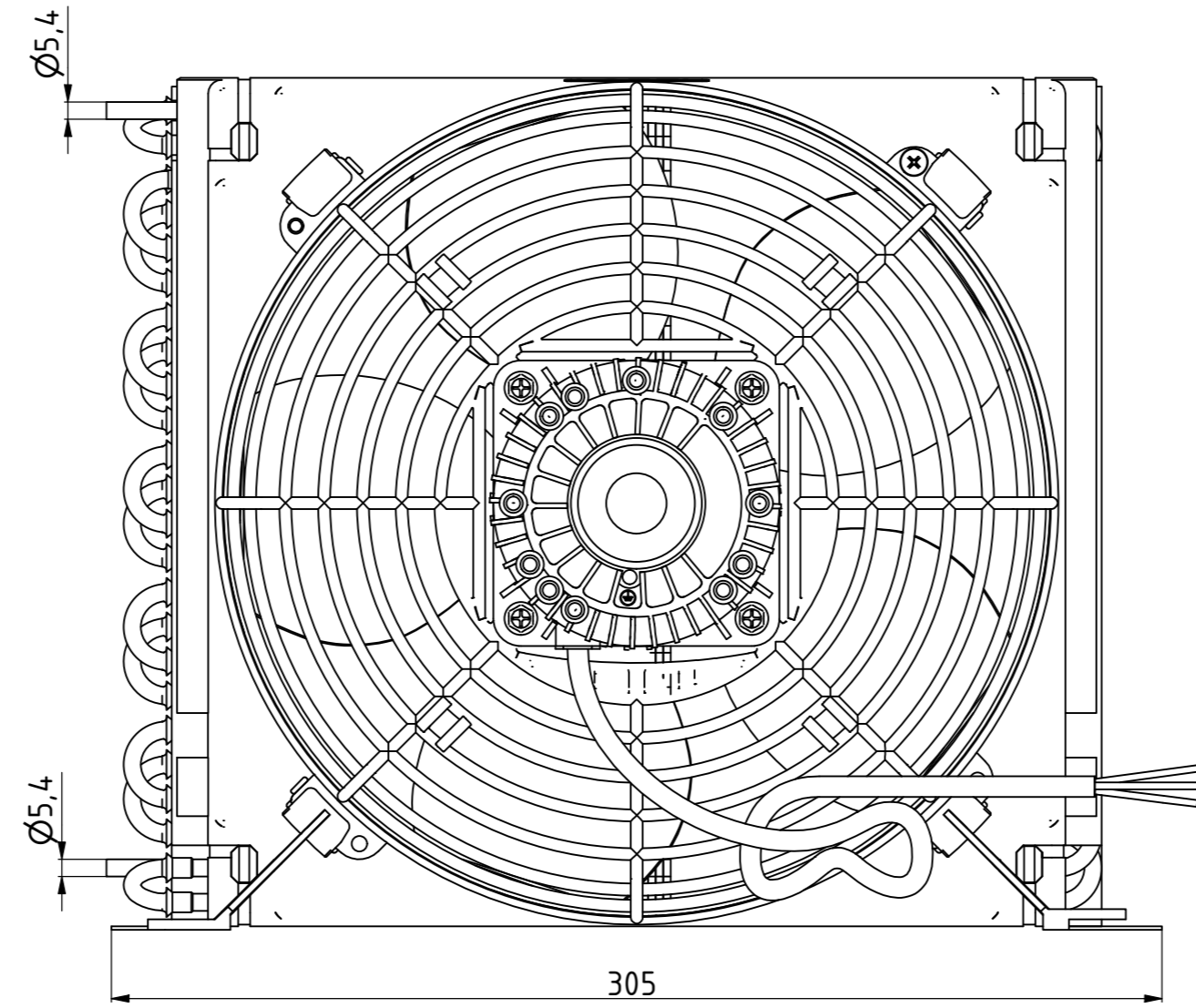
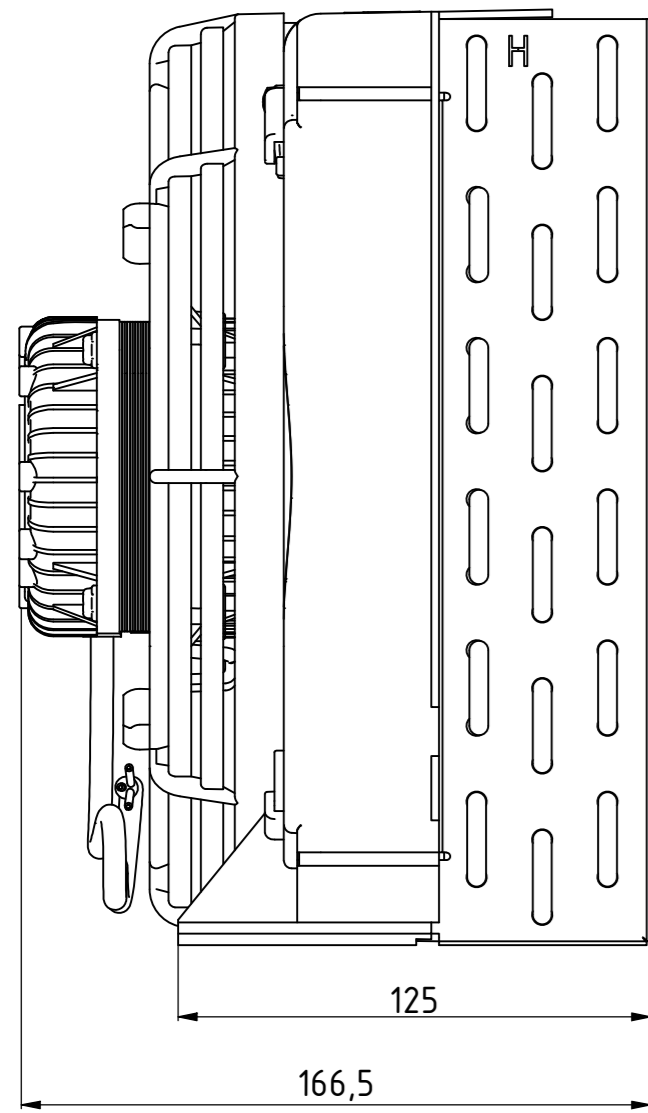


POHLED ZNÁZORNĚN BEZ VENTILÁTORU A TRUBEK
VIEW WITHOUT FAN AND TUBES

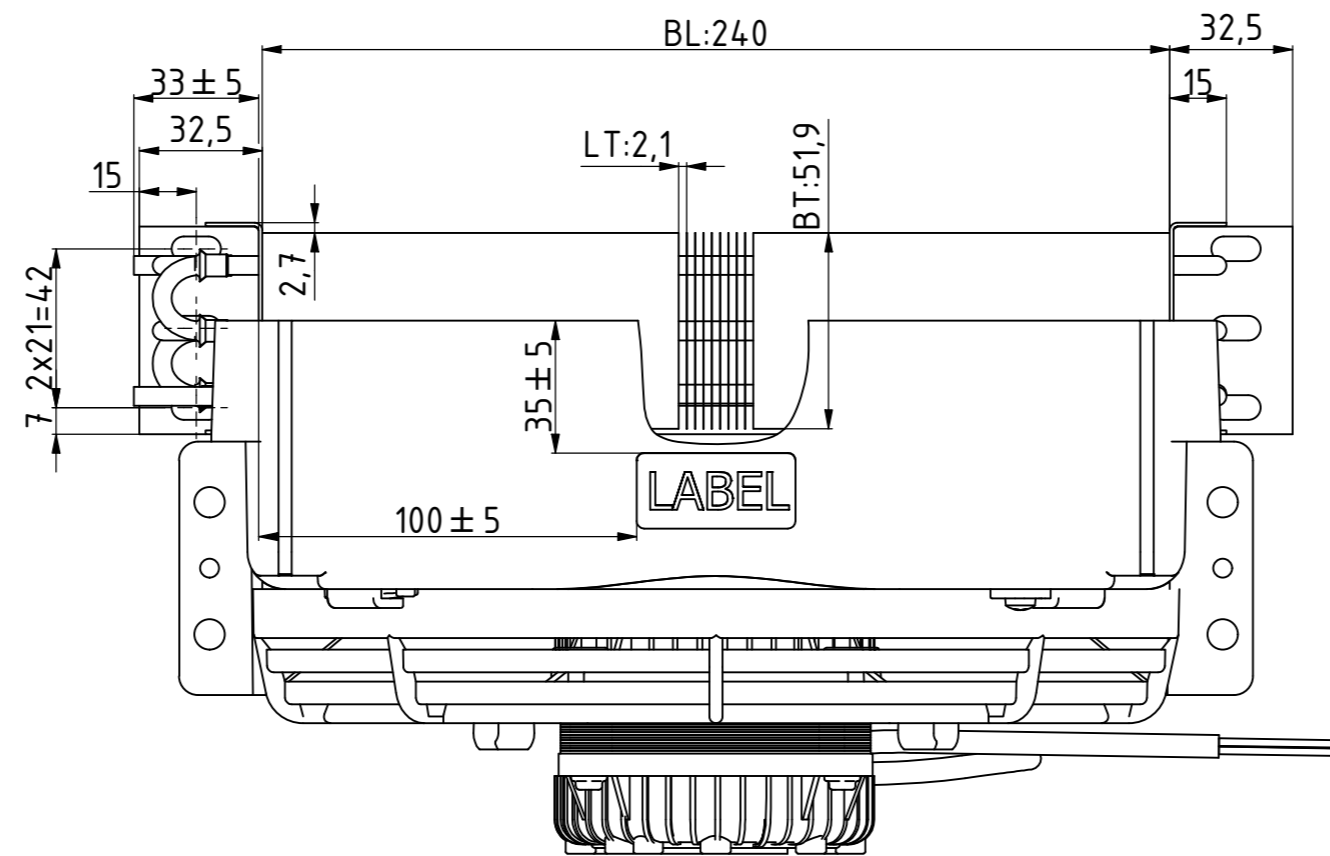


Přesah tulipánů: 15 (Tulips oversize)
Přesah oblouků: 28 (U-bends oversize)

Přesah vlásenek: 14 (Hairpins oversize)

Směr vzduchu
Air direction

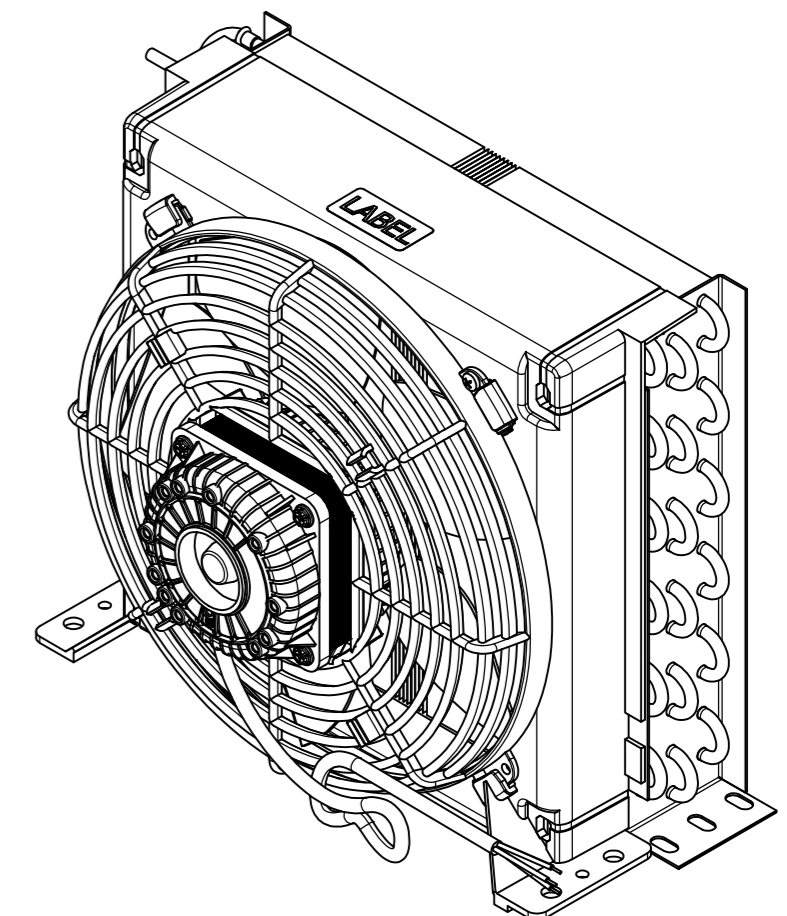
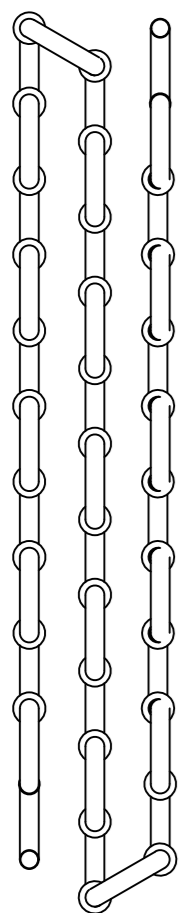
POHLED ZNÁZORNĚN BEZ KRYČÍHO PLECHU
VIEW WITHOUT COVER PLATE



Ventilátor/Fan 7W, 220V

Montáž oběžného
kola dle TSI 405

DIAGRAM



ONLY FOR HTS

Label Type 01
according
specification
KN 4000

AB

CUSTOMER MATERIAL CODE CAVF 93	TEST PRESSURE 30 Bar	GEOMETRY	TUBE CU Ø5	Grooved
CUSTOMER DRAWING Nr	PS REF. TO PED 27 Bar	TUBE x ROW SPACE	FINS AL	Louvered
NITROGEN CHARGE YES	DESIGN PRESSURE REF. TO UL 0 Bar	Nr OF TUBES Nr OF ROWS	END PLATES	Thk. 1 mm FEZN
REFRIGERANT PEDGr2 - PED FLUID GROUP 2	TS MIN TS MAX -40 °C +125 °C	FIN SPACE	COVER PLATES	
		20x17,3 mm	12 3	2,1 mm

STATUS: Pending	CHANGE NR.: AB	CHANGE REASON: ZR109/24 New drawing stamp, label.	CHANGE DATE-HOUR: 04-Mar-2024 09:42	ISSUE: 02
GENERAL TOL.: ISO 2768-c	PROJECTION: ⊕	MATERIAL CODE: 10156599	CUSTOMER: FRIGO PLUS	
DESCRIPTION: 05G1720P021L0240R03T12C0F0				
TREATMENT: -----	COLOR: -----			
WEIGHT: 4,1 kg	DRAW DATE: 01/03/2024	APPROVED BY: T.Vasicek	DRAW BY: P.Klein	
Novosedly na Moravě 238 (ZIP Code 691 62) Czech Republic Tel: 00420519501401 - Fax: 00420519501403 www.htsystems.cz - e-mail: HTS@luvegroup.com				

This drawing is the property of LU-VE Group, any reproduction and/or distribution without LU-VE Group approval is unlawful.

PAGE: 1/3

Technical specification according SPEC1 - Last rev.

TOLERANCES FOR CONNECTIONS UNLESS OTHERWISE SPECIFIED: ±3 mm, ±3°

DIAGRAM ZAPOJENÍ VLÁSENEK A OBLOUKŮ

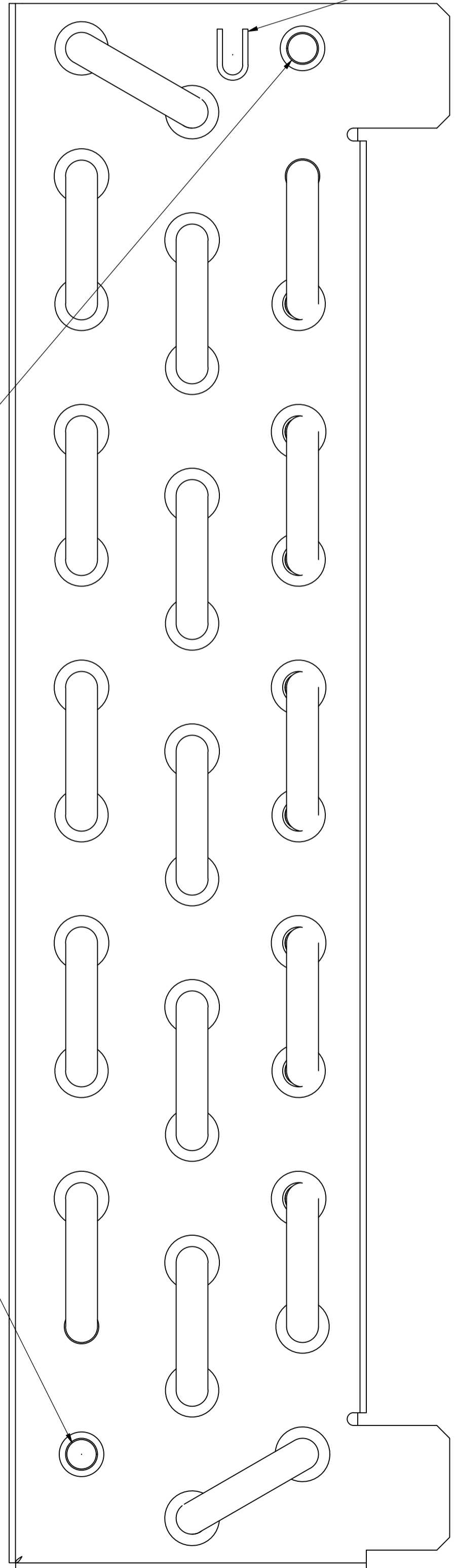
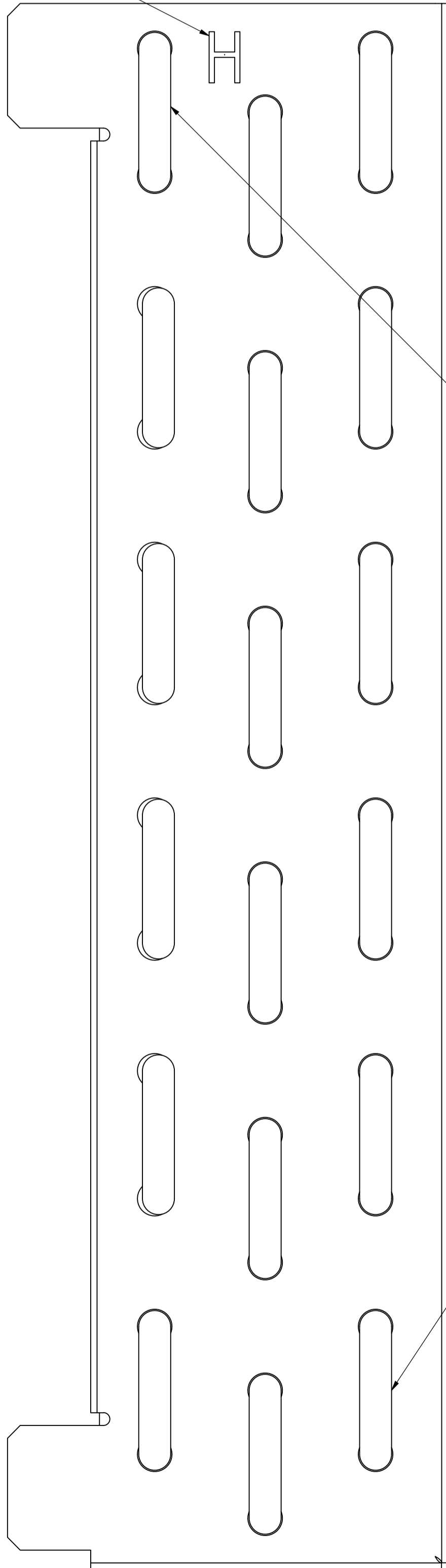
SAP číslo výměníku: **10156599/AB**

HAIRPIN SIDE VIEW
Pohled VLÁSENKY
30299630/AB

U-BEND SIDE VIEW
Pohled U-OBLOUKY
30299619/AB

MARK
ZNAČKA " H "

MARK
ZNAČKA " U "

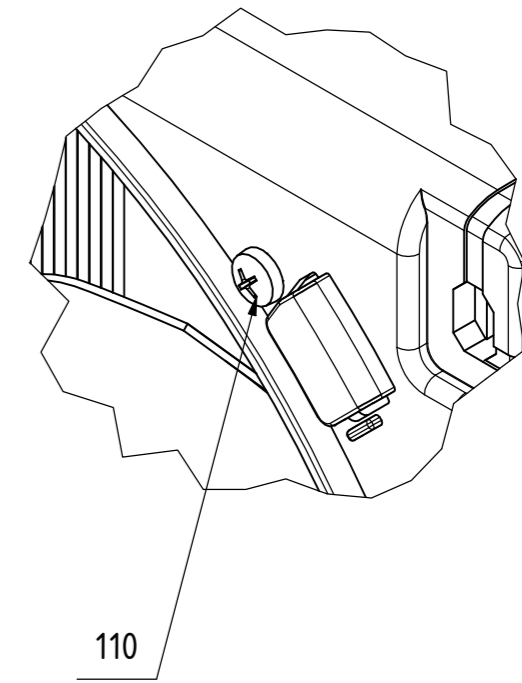
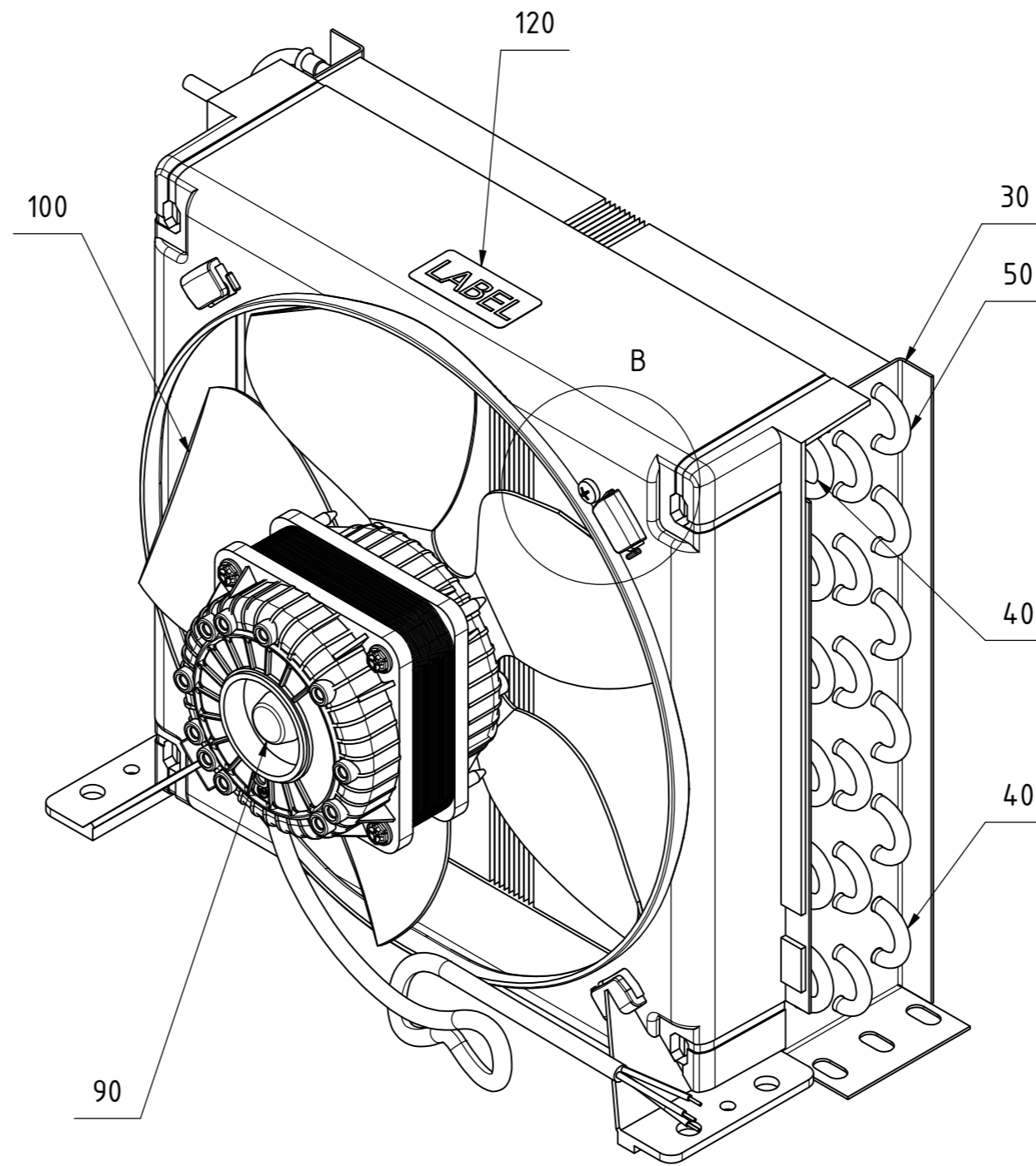
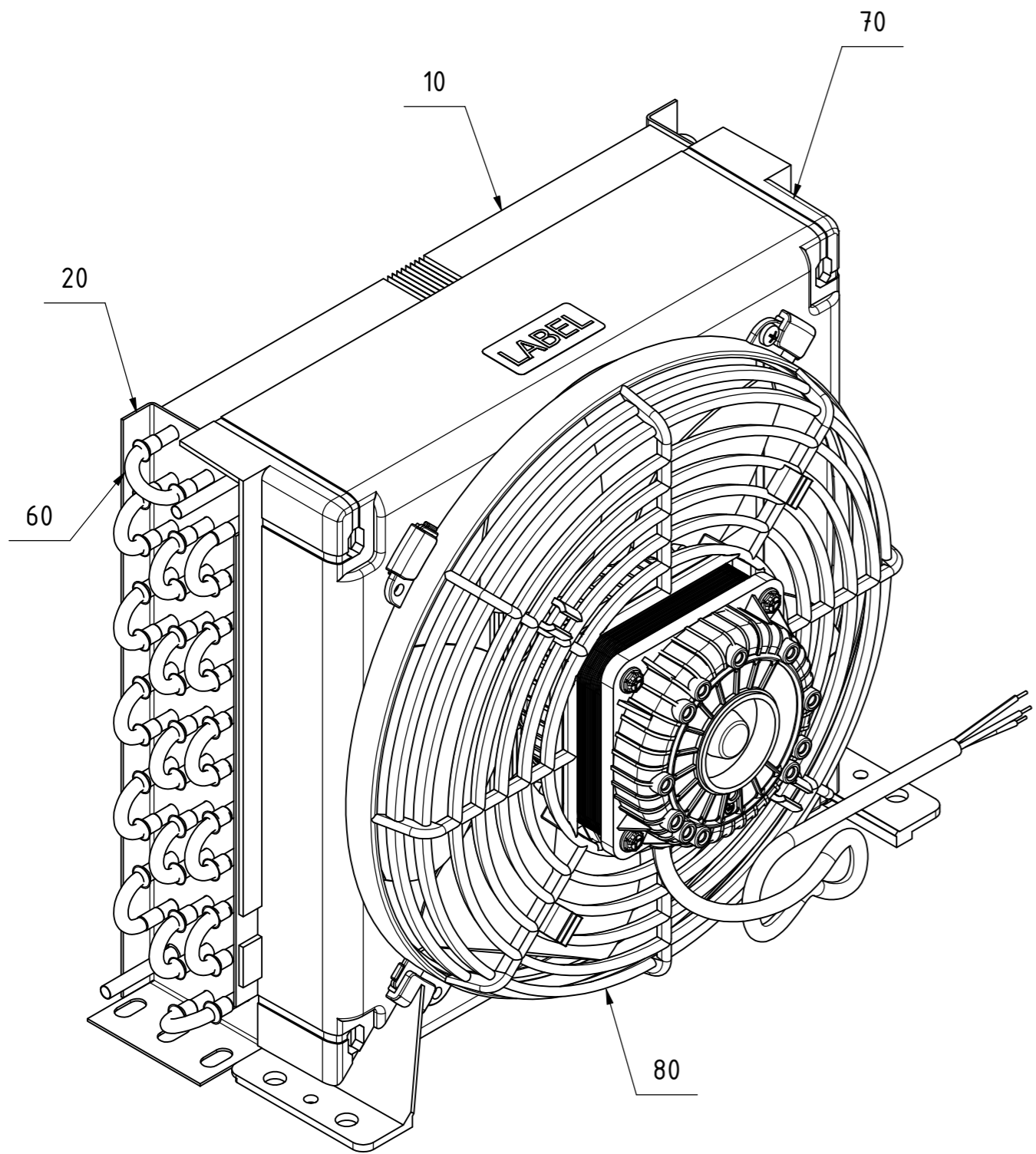



Délka vlásenky s korekcí $L=283+18$

POS.	TITLE	DESCRIPTION	MATERIAL	SAP Nr.	REV.	Ks.
10	FIN BLOCK_20X17,3_X_021_12_3_240_0		Všeobecné	31044218	AA	1
20	E PLATE_U_T12R3Ø5_20x17_FeZn		FeZn,DIN EN 10142 DX51D+Z200-N-A	30299619	AB	1
30	E PLATE_H_T12R3Ø5_20x17_FeZn		FeZn,DIN EN 10142 DX51D+Z200-N-A	30299630	AB	1
40	HAIRPIN_CU_G_D5X0.21/0.15_20_283_0_A240		Měď	30299631	AA	2
50	HAIRPIN_CU_G_D5X0.21/0.15_20_282_0	TR. Ø5x0,21/0,15-581,576	Cu - EN 12735	30248921	AA	16
60	BEND_D5_X0.5_Cu_20_H19	Tr. 5x0,5-44,4	Cu - DIN EN 12735	30236205	AA	17
70	CONVOGLIATORE CF24 (N.F.S.)	FAN COVER CF 21	PET Plastic	30087575	AB	1
80	GRIGLIA CF24 (N.F.S.)	FAN GRID CF 24	PET Plastic	30087580	AB	1
90	ELEC MOT_W7_4_230/1_172/200/23		Generic	30094120	AA	1
100	VENTOLA DIAM. 230-26-5A		Výchozí	30087534	AB	1
110	SCREW_SELF_D_4,2_X9,5_A2_DIN7981 C-H		Nerezavějící ocel	30228163	AA	1
120	STICKER HTS-OEM_42x20mm		Generico	30228121	AB	1

VIEW WITHOUT GRID
POHLED BEZ MŘÍŽKY VENTILÁTORU

B (1:1)



STATUS: Pending	CHANGE NR.: AB	CHANGE REASON: ZR109/24 New drawing stamp, label.	CHANGE DATE-HOUR: 04-Mar-2024 09:42	ISSUE: 02
GENERAL TOL.: ISO 2768-c	PROJECTION: ↺	MATERIAL CODE: 10156599	CUSTOMER: FRIGO PLUS	
DESCRIPTION: 05G1720P021L0240R03T12C0F0		 Heat Transfer Systems, s.r.o. Novosedly na Moravě 238 (ZIP Code 691 62) Czech Republic Tel: 00420519501401 - Fax: 00420519501403 www.htsystems.cz - e-mail: HTS@luvegroup.com		
TREATMENT: -----	COLOR: -----	WEIGHT: 4,1 kg	DRAW DATE: 01/03/2024	APPROVED BY: T.Vasicek
			DRAW BY: P.Klein	

CUSTOMER MATERIAL CODE CAVF 93	TEST PRESSURE 30 Bar	GEOMETRY	TUBE CU Ø5 Grooved
CUSTOMER DRAWING Nr	PS REF. TO PED 27 Bar	TUBE x ROW SPACE 20x17,3 mm	FINS AL Louvered
NITROGEN CHARGE YES	DESIGN PRESSURE REF. TO UL 0 Bar	Nr OF TUBES Nr OF ROWS 12 3	END PLATES Thk. 1 mm FEZN
REFRIGERANT PEDGr2 - PED FLUID GROUP 2	TS MIN TS MAX -40 °C +125 °C	FIN SPACE 2,1 mm	COVER PLATES

TOLERANCES FOR CONNECTIONS UNLESS OTHERWISE SPECIFIED: ±3 mm, ±3°
Technical specification according SPEC1 - Last rev.