



**Capacity (EN 12900/CECOMAF)**
**watt**

Comp.\°C	-25	-23.3	-20	-15	-10	-5	0	5	7.2	10	15
SC21G	333	370	453	606	792	1012	1268	1560	1700	1889	2256

**Capacity (ASHRAE)**
**watt**

Comp.\°C	-25	-23.3	-20	-15	-10	-5	0	5	7.2	10	15
SC21G	410	456	558	746	977	1250	1568	1931	2106	2343	2803

**Power consumption**
**watt**

Comp.\°C	-25	-23.3	-20	-15	-10	-5	0	5	7.2	10	15
SC21G	382	404	445	509	575	643	714	789	823	868	953

**Current consumption**
**A**

Comp.\°C	-25	-23.3	-20	-15	-10	-5	0	5	7.2	10	15
SC21G	2.28	2.34	2.48	2.71	2.96	3.24	3.54	3.87	4.02	4.22	4.60

**COP (EN 12900/CECOMAF)**
**W/W**

Comp.\°C	-25	-23.3	-20	-15	-10	-5	0	5	7.2	10	15
SC21G	0.87	0.92	1.02	1.19	1.38	1.58	1.78	1.98	2.07	2.18	2.37

**COP (ASHRAE)**
**W/W**

Comp.\°C	-25	-23.3	-20	-15	-10	-5	0	5	7.2	10	15
SC21G	1.07	1.13	1.25	1.47	1.70	1.95	2.20	2.45	2.56	2.70	2.94

Test conditions

EN 12900/CECOMAF

ASHRAE

Condensing temperature

55°C

55°C

Ambient and suction gas temp.

32°C

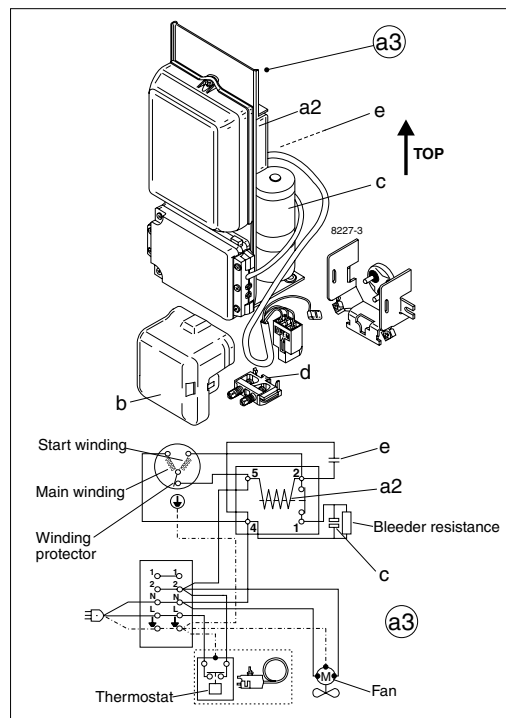
32°C

Liquid temperature

55°C

32°C

Fan cooling, 220V 50Hz


**Accessories**

Devices	Fig.	SC21G
Starting device (104G8140/24)	a3	117-7028 (470 mm cable length) 117-7029 (550 mm cable length) 117-7032 (650 mm cable length)
Starting device (104G8143)	a3	117-7038 (470 mm cable length) 117-7039 (550 mm cable length) 117-7043 (1000 mm cable length)
Cover (104G8140/24)	b	103N2009
Cover (104G8143)	b	103N2008
Starting relay	a2	Components of starting device
Starting capacitor	c	
Run capacitor	e	
Cord relief	d	103N1004
Mounting accessories		
Bolt joint for one compressor		118-1917
Bolt joint in quantities		118-1918
Snap-on in quantities		118-1919

Danfoss can accept no responsibility for possible errors in catalogues, brochures and other printed material. Danfoss reserves the right to alter its products without notice. This also applies to products already on order provided that such alterations can be made without subsequential changes being necessary in specifications already agreed. All trademarks in this material are property of the respective companies. Danfoss and the Danfoss logotype are trademarks of Danfoss A/S. All rights reserved.