



| | |
|--|-----------------|
| Refrigerant | R407C Dew Point |
| High Side Properties: | |
| Condensing Temperature, °C | 45.00 |
| Abs. Condensing Pressure, bar | 17.51 |
| Dew Point, °C | 45.00 |
| Bubble Point, °C | 40.10 |
| Saturated vapour enthalpy, kJ/kg | 425.00 |
| Specific volume of saturated vapour, dm ³ /kg | 12.70 |
| Low Side Properties: | |
| Evaporating Temperature, °C | 0.00 |
| Evaporating Abs. Pressure, bar | 4.61 |
| Dew Point, °C | 0.00 |
| Bubble Point, °C | -6.30 |
| With vapour at, °C | 10.00 |
| Specific volume, dm ³ /kg | 53.50 |
| Enthalpy, kJ/kg | 418.00 |
| Operating Conditions: | |
| Evaporating Temperature, °C | 0.00 |
| Condensing Temperature, °C | 45.00 |
| Suction Superheat, K | 10.00 |
| Subcooling, K | 0.00 |
| Compressor Selected | ZR22K3E-TFD |

**PERFORMANCE AT SPECIFIED OPERATING POINT
ZR22K3E-TFD Data at 50 Hz**

| | |
|------------------------|-------|
| Cooling Capacity, kW | 3.95 |
| Power, kW | 1.36 |
| COP | 2.89 |
| Current at 400 V, A | 2.63 |
| Suction Mass Flow, g/s | 25.00 |
| Heating Capacity, kW | 5.25 |

COMPRESSOR MECHANICAL AND PHYSICAL DATA

| | |
|--|--|
| Displacement @ 50 Hz, m ³ /h | 5.34 |
| Length/Width, mm | 242/242 |
| Height, mm | 363 |
| Net Weight, kg | 22 |
| Gross Weight, kg | 26 |
| Stub Suction, inch | 3/4 |
| Stub Discharge, inch | 1/2 |
| Oil Quantity, l | 1 |
| Oil type (original charge) | POE RL32-3MAF |
| Oil type (approved oils) | POE RL32-3MAF, POE MOBIL EAL Arctic 22 CC |
| Base mounting (hole dia), mm | 190 x 190 (8.5) |
| Sound Pressure @ 1m (HT), dBA | 54 |
| Sound Power (HT), dBA | 65 |
| Sound Power with Sound Shell (HT), dBA | 58 |
| Sound Conditions (HT, Temperatures: Evap./Cond./Suction at freq./speed) | 7 / 54 / 18 °C at 50 Hz |
| PED Category | 1 |
| Max. Internal Free Volume, l | 2.90 |
| High Side PS gauge, bar | 29.5 |
| Low Side PS gauge, bar | 20 |
| Low Side TS Max., °C | 50 |
| Refrigerant's GWP | 1774 |
| Refrigerant's classification | A1 |

COMPRESSOR ELECTRICAL DATA (380-420 V / 3~ / 50 Hz)

| | |
|------------------------------|----------------|
| Maximum Operating Current, A | 4.2 |
| Locked Rotor Current, A | 24 |
| Winding Resistance, ohm | 8.64 |
| Default Enclosure Class | IP 21 (IEC 34) |

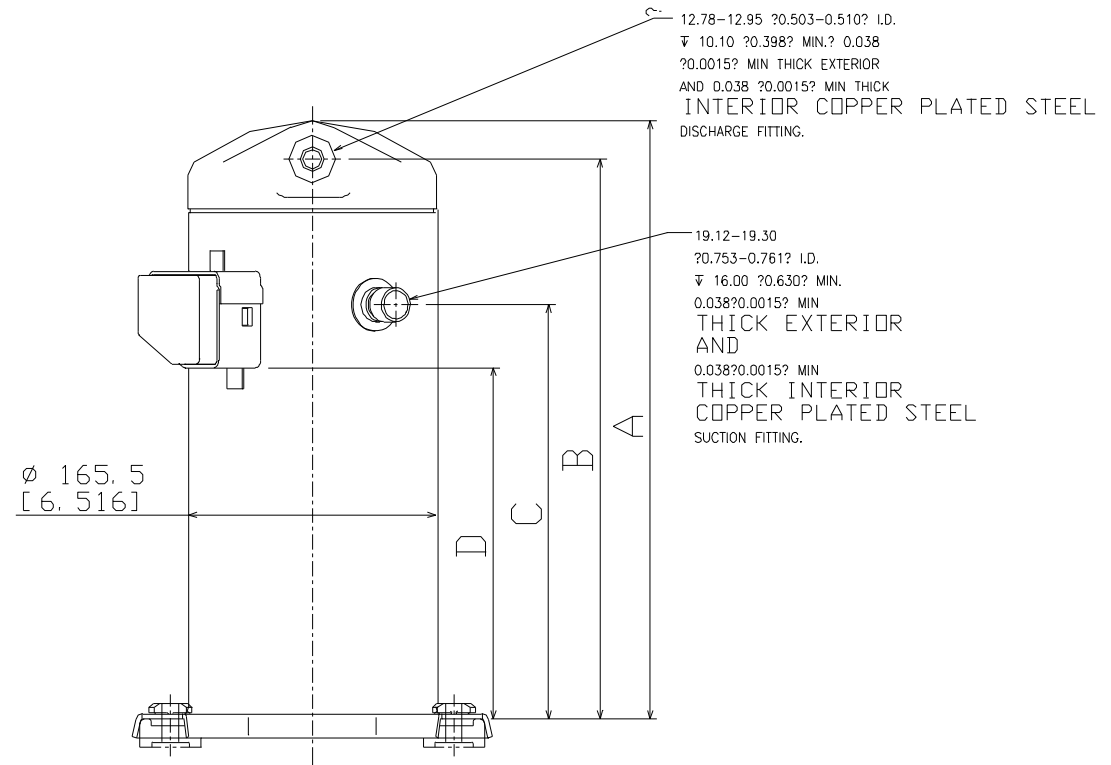
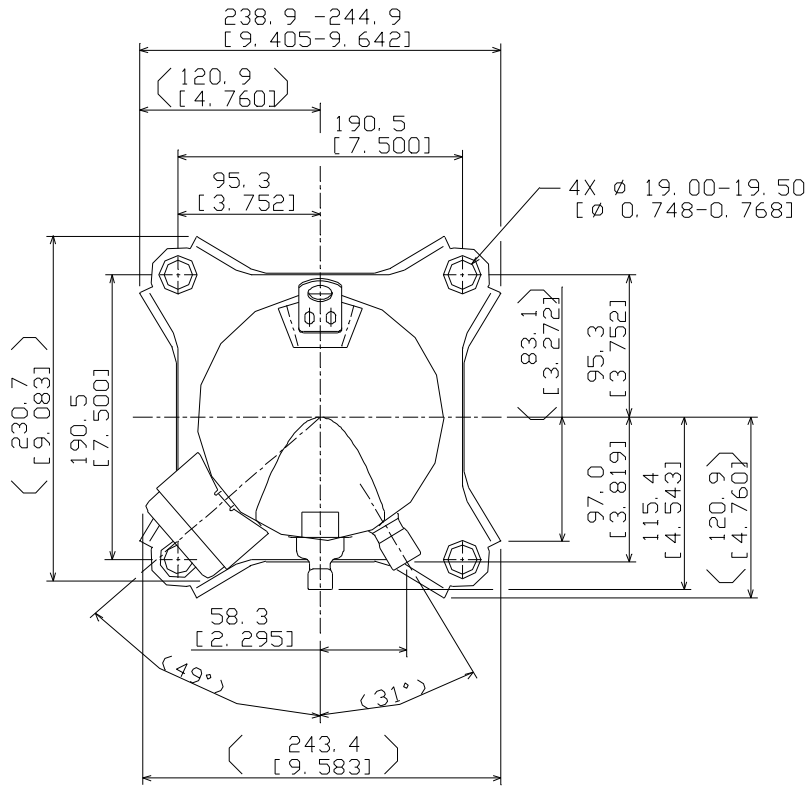
ACCESSORIES INCLUDED

| | |
|----------------------------------|---------------------|
| Discharge Temperature Protection | Internal Thermodisk |
| Mounting Grommets | Standard |

ACCESSORIES OPTIONAL

| | |
|------------------|---------------|
| Crankcase Heater | 70 W External |
|------------------|---------------|

ZR22K3 to ZR40K3



| Model | A \pm 3,0 | B | C \pm 3,0 | D \pm 3,0 |
|------------------------------|-------------|-------|-------------|-------------|
| ZR22 K3 / K3E, ZR28 K3 / K3E | 363 | 338,4 | 244,6 | 202,4 |
| ZR34 K3 / K3E | 386,5 | 361,0 | 264,5 | 222,3 |
| ZR40 K3 / K3E | 400,3 | 374,8 | 277,3 | 235,1 |