



Refrigerant	R449A Dew Point
High Side Properties:	
Condensing Temperature, °C	45.00
Abs. Condensing Pressure, bar	18.86
Dew Point, °C	45.00
Bubble Point, °C	40.70
Saturated vapour enthalpy, kJ/kg	414.00
Specific volume of saturated vapour, dm ³ /kg	11.30
Low Side Properties:	
Evaporating Temperature, °C	-35.00
Evaporating Abs. Pressure, bar	1.29
Dew Point, °C	-35.00
Bubble Point, °C	-40.70
With vapour at, °C	20.00
Specific volume, dm ³ /kg	213.00
Enthalpy, kJ/kg	425.00
Operating Conditions:	
Evaporating Temperature, °C	-35.00
Condensing Temperature, °C	45.00
Suction Return Temperature, °C	20.00
Subcooling, K	0.00
Compressor Selected	ZF49K5E-TFD

**PERFORMANCE AT SPECIFIED OPERATING POINT
ZF49K5E-TFD Data at 50 Hz**

Cooling Capacity, kW	8.56
Power, kW	8.65
COP	0.99
Current at 400 V, A	15.77
Suction Mass Flow, g/s	52.50
Heating Capacity, kW	16.80

COMPRESSOR MECHANICAL AND PHYSICAL DATA

Displacement @ 50 Hz, m ³ /h	42.4
Length/Width, mm	280/280
Height, mm	552
Net Weight, kg	66.2
Rotalock Suction, inch	1 3/4
Rotalock Discharge, inch	1 1/4
Oil Quantity, l	3.37
Oil type (original charge)	POE RL32-3MAF
Oil type (approved oils)	POE RL32-3MAF, POE MOBIL EAL Arctic 22 CC
Base mounting (hole dia), mm	190 x 190 (0)
Sound Pressure @ 1m (LT), dBA	72
Sound Power (LT), dBA	83
Sound Conditions (LT, Temperatures: Evap./Cond./Suction at freq./speed)	-35 / 40 / 20 °C at 50 Hz
PED Category	2
Max. Internal Free Volume, l	13.3
High Side PS gauge, bar	32
Low Side PS gauge, bar	22.6
Refrigerant's GWP	1397
Refrigerant's classification	A1

COMPRESSOR ELECTRICAL DATA (380-420 V / 3~ / 50 Hz)

Maximum Operating Current, A	30
Locked Rotor Current, A	139
Winding Resistance, ohm	1.09
Default Enclosure Class	IP 54 (IEC 34)

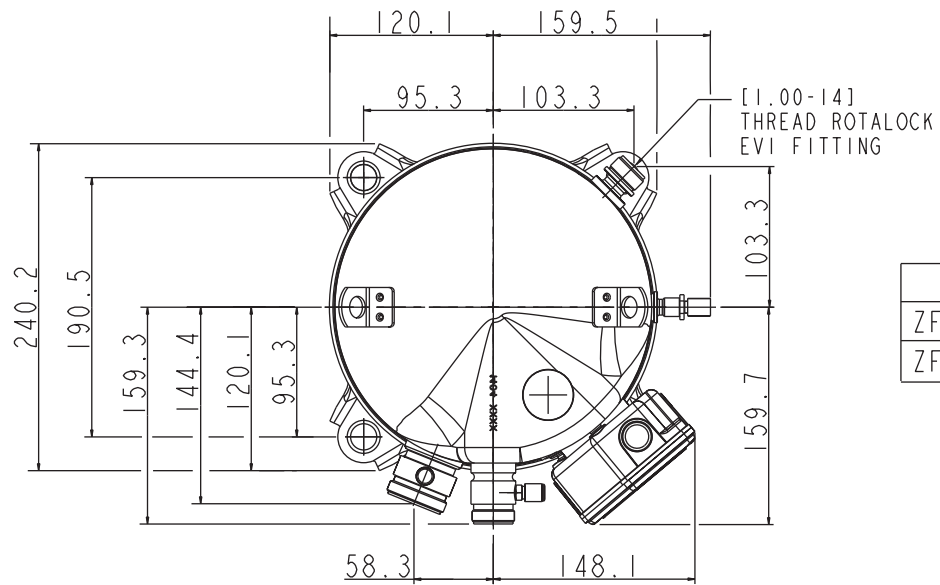
ACCESSORIES INCLUDED

Discharge Temperature Protection	Discharge line thermostat
Mounting Grommets	Standard

ACCESSORIES OPTIONAL

Crankcase Heater
Liquid Injection
Oil Control System
Sound Attenuation
Rotalock valves

66 W External
DTC Valve
ALCO Trax-Oil OM3
Sound Shell
suction and discharge



MODEL	A	B	C	E	F	G ₋	H
ZF34/41K5E	533.60	501.8	277.30	245.7	93.0	93.0	393.3
ZF49/54K5E	551.50	519.5	295.00	263.6	92.6	92.6	441.0

