



Refrigerant	R449A Dew Point
<b>High Side Properties:</b>	
Condensing Temperature, °C	45.00
Abs. Condensing Pressure, bar	18.86
Dew Point, °C	45.00
Bubble Point, °C	40.70
Saturated vapour enthalpy, kJ/kg	414.00
Specific volume of saturated vapour, dm <sup>3</sup> /kg	11.30
<b>Low Side Properties:</b>	
Evaporating Temperature, °C	-35.00
Evaporating Abs. Pressure, bar	1.29
Dew Point, °C	-35.00
Bubble Point, °C	-40.70
With vapour at, °C	20.00
Specific volume, dm <sup>3</sup> /kg	213.00
Enthalpy, kJ/kg	425.00
<b>Operating Conditions:</b>	
Evaporating Temperature, °C	-35.00
Condensing Temperature, °C	45.00
Suction Return Temperature, °C	20.00
Subcooling, K	0.00
Compressor Selected	ZF34K5E-TFD

**PERFORMANCE AT SPECIFIED OPERATING POINT  
ZF34K5E-TFD Data at 50 Hz**

Cooling Capacity, kW	5.71
Power, kW	5.76
COP	0.99
Current at 400 V, A	12.51
Suction Mass Flow, g/s	35.00
Heating Capacity, kW	11.20

**COMPRESSOR MECHANICAL AND PHYSICAL DATA**

Displacement @ 50 Hz, m <sup>3</sup> /h	29.1
Length/Width, mm	280/280
Height, mm	534
Net Weight, kg	63.1
Rotalock Suction, inch	1 3/4
Rotalock Discharge, inch	1 1/4
Oil Quantity, l	3.37
Oil type (original charge)	POE RL32-3MAF
Oil type (approved oils)	POE RL32-3MAF, POE MOBIL EAL Arctic 22 CC
Base mounting (hole dia), mm	190 x 190 (0)
Sound Pressure @ 1m (LT), dBA	68
Sound Power (LT), dBA	79
Sound Conditions (LT, Temperatures: Evap./Cond./Suction at freq./speed)	-35 / 40 / 20 °C at 50 Hz
PED Category	2
Max. Internal Free Volume, l	13.3
High Side PS gauge, bar	32
Low Side PS gauge, bar	22.6
Refrigerant's GWP	1397
Refrigerant's classification	A1

**COMPRESSOR ELECTRICAL DATA (380-420 V / 3~ / 50 Hz)**

Maximum Operating Current, A	25
Locked Rotor Current, A	100
Winding Resistance, ohm	1.24
Default Enclosure Class	IP 54 (IEC 34)

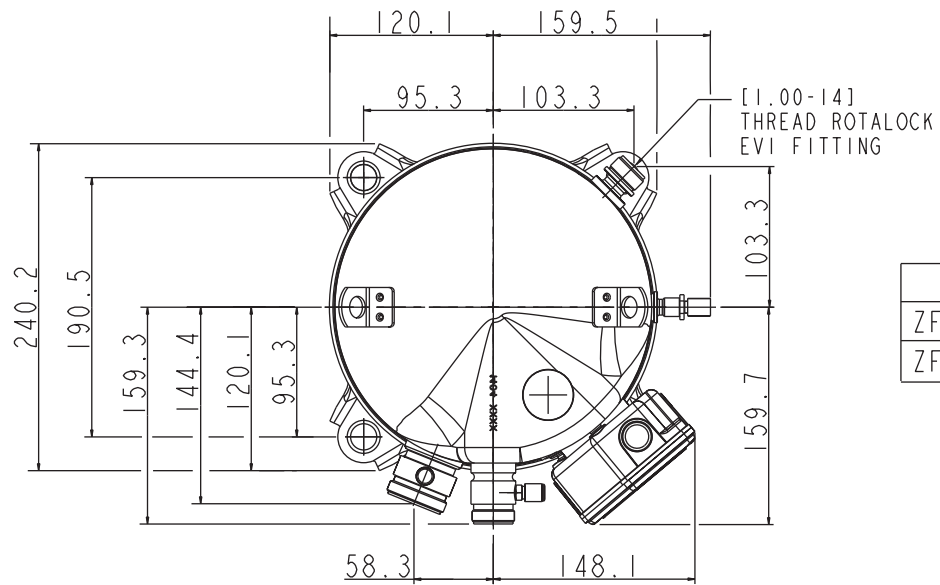
**ACCESSORIES INCLUDED**

Discharge Temperature Protection	Discharge line thermostat
Mounting Grommets	Standard

## ***ACCESSORIES OPTIONAL***

Crankcase Heater  
Liquid Injection  
Oil Control System  
Sound Attenuation  
Rotalock valves

66 W External  
DTC Valve  
ALCO Trax-Oil OM3  
Sound Shell  
suction and discharge



MODEL	A	B	C	E	F	G <sub>-</sub>	H
ZF34/41K5E	533.60	501.8	277.30	245.7	93.0	93.0	393.3
ZF49/54K5E	551.50	519.5	295.00	263.6	92.6	92.6	441.0

