



Refrigerant	R449A Dew Point
High Side Properties:	
Condensing Temperature, °C	45.00
Abs. Condensing Pressure, bar	18.86
Dew Point, °C	45.00
Bubble Point, °C	40.70
Saturated vapour enthalpy, kJ/kg	414.00
Specific volume of saturated vapour, dm ³ /kg	11.30
Low Side Properties:	
Evaporating Temperature, °C	-10.00
Evaporating Abs. Pressure, bar	3.61
Dew Point, °C	-10.00
Bubble Point, °C	-15.40
With vapour at, °C	10.00
Specific volume, dm ³ /kg	69.30
Enthalpy, kJ/kg	412.00
Operating Conditions:	
Evaporating Temperature, °C	-10.00
Condensing Temperature, °C	45.00
Suction Superheat, K	20.00
Subcooling, K	0.00
Compressor Selected	ZB66KCE-TFD

**PERFORMANCE AT SPECIFIED OPERATING POINT
ZB66KCE-TFD Data at 50 Hz**

Cooling Capacity, kW	14.10
Power, kW	6.58
COP	2.14
Current at 400 V, A	12.77
Suction Mass Flow, g/s	94.10
Heating Capacity, kW	20.30

COMPRESSOR MECHANICAL AND PHYSICAL DATA

Displacement @ 50 Hz, m ³ /h	24.9
Length/Width, mm	264/284
Height, mm	533
Net Weight, kg	59.9
Rotalock Suction, inch	1 3/4
Rotalock Discharge, inch	1 1/4
Oil Quantity, l	3.25
Oil type (original charge)	POE RL32-3MAF
Oil type (approved oils)	POE RL32-3MAF, POE MOBIL EAL Arctic 22 CC
Base mounting (hole dia), mm	190 x 190 (8.5)
Sound Pressure @ 1m (MT), dBA	66
Sound Power (MT), dBA	77
Sound Conditions (MT, Temperatures: Evap./Cond./Suction at freq./speed)	-10 / 45 / 20 °C at 50 Hz
PED Category	2
Max. Internal Free Volume, l	13.3
High Side PS gauge, bar	32
Low Side PS gauge, bar	22.6
Low Side TS Max., °C	50
Low Side TS Min., °C	-35
Refrigerant's GWP	1397
Refrigerant's classification	A1

COMPRESSOR ELECTRICAL DATA (380-420 V / 3~ / 50 Hz)

Maximum Operating Current, A	17.5
Locked Rotor Current, A	111
Winding Resistance, ohm	1.37
Default Enclosure Class	IP 21 (IEC 34)

ACCESSORIES INCLUDED

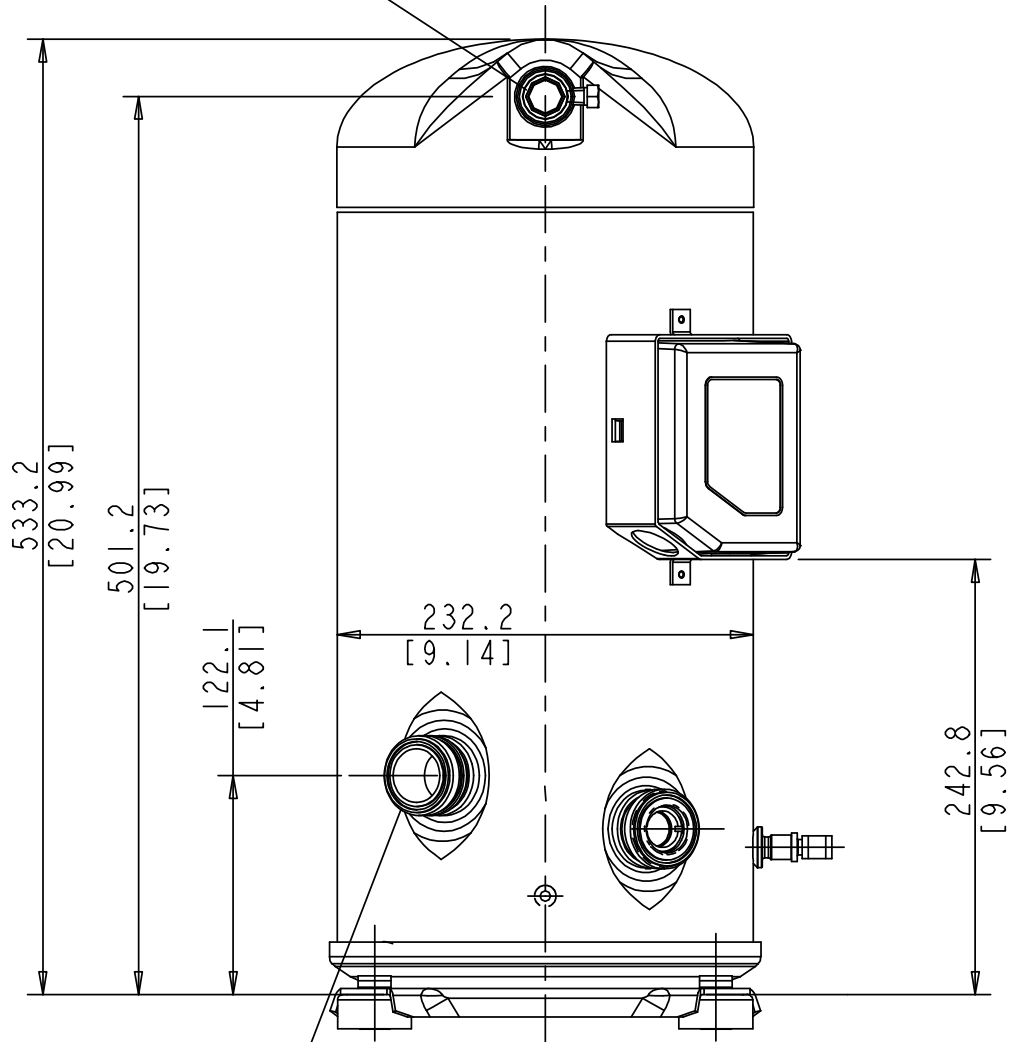
Discharge Temperature Protection	Internal Thermistor
Mounting Grommets	Standard

ACCESSORIES OPTIONAL

Crankcase Heater	66 W External
Enclosure Class	IP66 With Molded Plug
Mounting Grommets	Hard Mounts for Paralleling
Oil Control System	ALCO Trax-Oil OM3
Sound Attenuation	Sound Shell (10dBA)
Rotalock valves	suction and discharge

ZB 66, 76

[1.25-12] THREAD ROTALOCK SPUD/
DISCHARGE CHECK VALVE
TORQUE RANGE 27.1-40.6 NEWTON-METERS
[240-360 in-lbs]



[1.75-12] THREAD ROTALOCK SPUD
SUCTION FITTING
TORQUE RANGE 40.6-54.2
NEWTON-METERS
[360-480 in-lbs]

