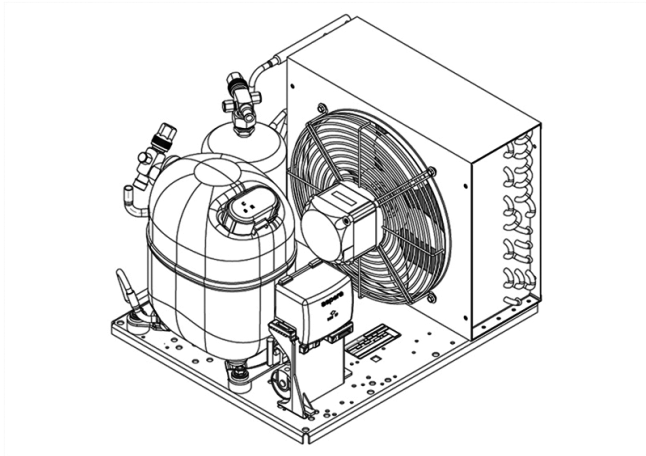


UNJ2212GK



**ENGINEERING CODE**  
643TA5204AA



**REFRIGERANT**  
R-404A



**POWER SUPPLY**  
220-240 V 50 Hz



**APPLICATION**  
LBP



**MOTOR TYPE**  
CSR



**STANDARD**  
EN13215\_RG20



**COOLING CAPACITY**  
883 W



**EFFICIENCY**  
1.02 W/W

CE

ECODESIGN  
COMPLIANT

DATA

GENERAL DATA

Model UNJ2212GK

ELECTRICAL DATA

Locked Rotor Amperage (LRA)	36.00 A
Rated Load Amperage (RLA)	6.50 A
Maximum Overcurrent Protection (MOP)	14.63 A
Minimum Current Ampacity (MCA)	8.1 A

ACCESSORIES

Discharge valve	FLARE 3/8"	2110056
Suction valve	FLARE 5/8"	2110058

CONDENSING COMPONENTS

Compressor	NJ2212GK	LBP
Condenser	3R12T	2451140
Refrigerant	R-404A	
Expansion Device	C-V	
Fan Blade Diameter	275 mm	
Fankit	34W 275/31/5B	1996583

## MECHANICAL DATA

Air Flow	800 m <sup>3</sup> /h
Height	324 mm
Receiver	2.3 L
Shaft Power	34 W
Weight	39 Kg
Width	410 mm
Length	481 mm

## PERFORMANCE

### TESTED CONDITIONS

Tested Refrigerant	R-404A
Tested Application	LBP
Tested Standard	EN13215_RG20

### RATED POINTS

Ambient Temperature °C	Evaporating Temperature °C	Cooling Capacity W	Efficiency W/W	Consumo de Potencia W
32	-35	883	1.02	867

Test Condition: Subcooling 3 K, Return Gas 20 °C.

### PERFORMANCE CURVE

Ambient Temperature 25°C

Evaporating Temperature °C	Cooling Capacity W	Efficiency W/W	Consumo de Potencia W
-40	808	1.04	777
-30	1329	1.32	1010
-25	1617	1.39	1161
-20	1926	1.44	1335
-15	2260	1.48	1532
-10	2621	1.50	1752

Test Condition: Subcooling 3 K, Return Gas 20 °C.

**PERFORMANCE CURVE**

Ambient Temperature 32°C

Evaporating Temperature °C	Cooling Capacity W	Efficiency W/W	Consumo de Potencia W
-40	629	0.84	748
-30	1154	1.14	1008
-25	1446	1.24	1171
-20	1762	1.30	1355
-15	2104	1.35	1562
-10	2475	1.38	1791

Test Condition: Subcooling 3 K, Return Gas 20 °C.

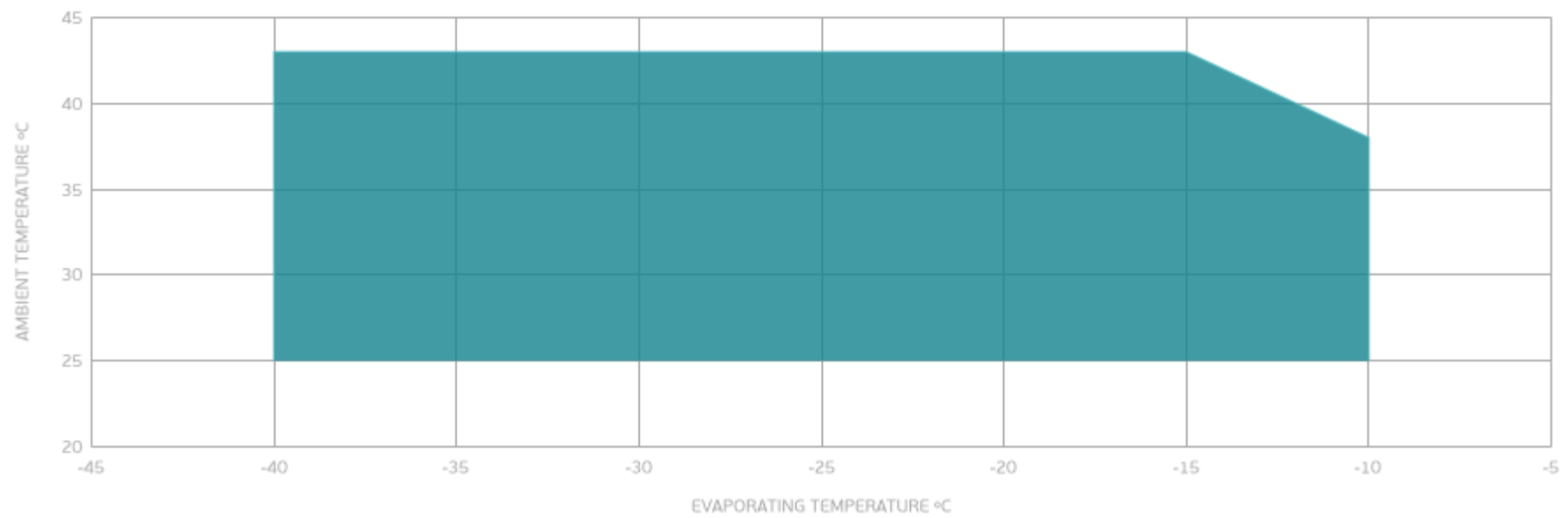
**PERFORMANCE CURVE**

Ambient Temperature 43°C

Evaporating Temperature °C	Cooling Capacity W	Efficiency W/W	Consumo de Potencia W
-40	509	0.69	737
-30	920	0.88	1041
-25	1159	0.95	1222
-20	1426	1.00	1423
-15	1721	1.05	1644

Test Condition: Subcooling 3 K, Return Gas 20 °C.

**ENVELOPE**



■ OPERATING CONDITION

