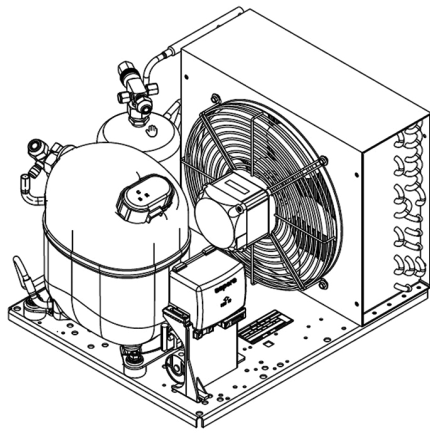


UNJ2192GJ



ENGINEERING CODE
543CA5204AA



REFRIGERANT
R-404A



POWER SUPPLY
220-240 V 50 Hz



APPLICATION
LBP



MOTOR TYPE
CSR



STANDARD
EN13215_RG20

CE

ECODESIGN
COMPLIANT



COOLING CAPACITY
708 W



EFFICIENCY
1.04 W/W

DATA

GENERAL DATA

Model UNJ2192GJ

ELECTRICAL DATA

Locked Rotor Amperage (LRA) 26.00 A

Rated Load Amperage (RLA) 4.75 A

Maximum Overcurrent Protection (MOP) 10.69 A

Minimum Current Ampacity (MCA) 5.9 A

ACCESSORIES

Discharge valve FLARE 3/8" 2110056

Suction valve FLARE 1/2" 2110057

CONDENSING COMPONENTS

Compressor NJ2192GJ LBP

Condenser 3R12T 2451140

Refrigerant R-404A

Expansion Device C-V

Fan Blade Diameter 275 mm

Fankit 34W 275/31/5B 1996583

MECHANICAL DATA

Air Flow	800 m ³ /h
Height	324 mm
Receiver	2.3 L
Shaft Power	34 W
Weight	38 Kg
Width	410 mm
Length	481 mm

PERFORMANCE

TESTED CONDITIONS

Tested Refrigerant	R-404A
Tested Application	LBP
Tested Standard	EN13215_RG20

RATED POINTS

Ambient Temperature °C	Evaporating Temperature °C	Cooling Capacity W	Efficiency W/W	Consumo de Potencia W
32	-35	708	1.04	679

Test Condition: Subcooling 3 K, Return Gas 20 °C.

PERFORMANCE CURVE

Ambient Temperature 25°C

Evaporating Temperature °C	Cooling Capacity W	Efficiency W/W	Consumo de Potencia W
-40	564	0.98	574
-30	994	1.29	772
-25	1236	1.40	881
-20	1495	1.50	995
-15	1769	1.59	1114
-10	2058	1.66	1236

Test Condition: Subcooling 3 K, Return Gas 20 °C.

PERFORMANCE CURVE

Ambient Temperature 32°C

Evaporating Temperature °C	Cooling Capacity W	Efficiency W/W	Consumo de Potencia W
-40	517	0.88	587
-30	919	1.18	780
-25	1147	1.29	890
-20	1391	1.38	1008
-15	1652	1.46	1133
-10	1927	1.52	1264

Test Condition: Subcooling 3 K, Return Gas 20 °C.

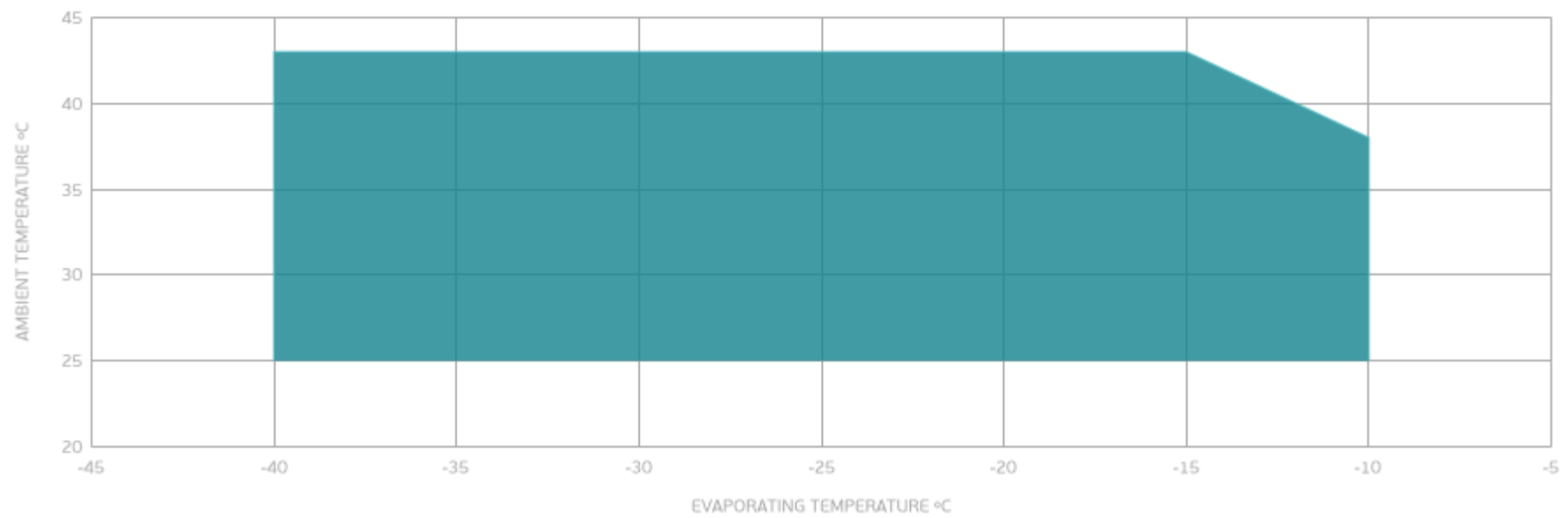
PERFORMANCE CURVE

Ambient Temperature 43°C

Evaporating Temperature °C	Cooling Capacity W	Efficiency W/W	Consumo de Potencia W
-40	343	0.63	543
-30	680	0.90	759
-25	877	0.99	886
-20	1089	1.06	1026
-15	1318	1.12	1176

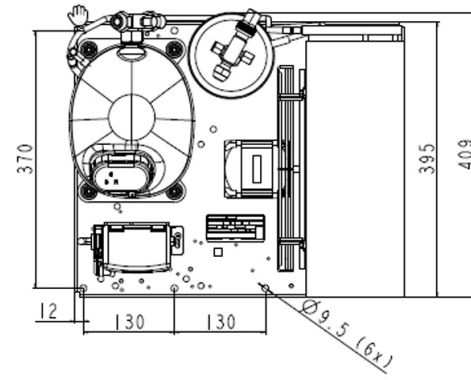
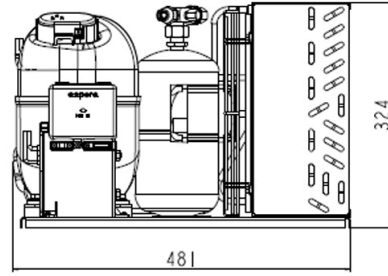
Test Condition: Subcooling 3 K, Return Gas 20 °C.

ENVELOPE



■ OPERATING CONDITION

EXTERNAL DIMENSIONS



WIRING DIAGRAM

