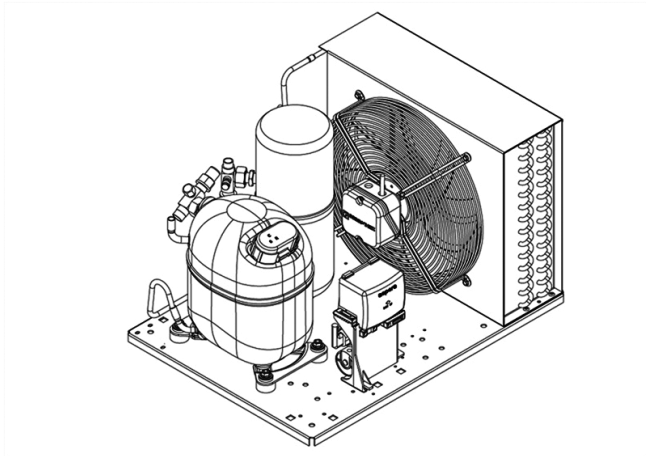


UNJ9238GK



ENGINEERING CODE
643RV5204AA

REFRIGERANT
R-449A

POWER SUPPLY
230 V 50 Hz

APPLICATION
HBP

MOTOR TYPE
CSR

STANDARD
EN13215_RG20

COOLING CAPACITY
2364 W

EFFICIENCY
1.61 W/W

CE

ECODSIGN COMPLIANT

DATA

GENERAL DATA

Model UNJ9238GK

ELECTRICAL DATA

Locked Rotor Amperage (LRA) 43.00 A

Rated Load Amperage (RLA) 10.10 A

Maximum Overcurrent Protection (MOP) 22.72 A

Minimum Current Ampacity (MCA) 12.6 A

ACCESSORIES

Discharge valve FLARE 1/2" 2110057

Suction valve FLARE 5/8" 2110058

CONDENSING COMPONENTS

Compressor NJ9238GK M/HBP

Condenser 4R14T 2451199

Refrigerant R-404A

Expansion Device C-V

Fan Blade Diameter null mm

Fankit S4E300-XX 1996589

MECHANICAL DATA

Air Flow	1 m ³ /h
Height	372 mm
Receiver	3.9 L
Shaft Power	95 W
Weight	47 Kg
Width	440 mm
Length	600 mm

PERFORMANCE

TESTED CONDITIONS

Tested Refrigerant	R-449A
Tested Application	HBP
Tested Standard	EN13215_RG20

RATED POINTS

Ambient Temperature °C	Evaporating Temperature °C	Cooling Capacity W	Efficiency W/W	Consumo de Potencia W
32	-10	2364	1.61	1466

Test Condition: Subcooling 3 K, Return Gas 20 °C.

PERFORMANCE CURVE

Ambient Temperature 25°C

Evaporating Temperature °C	Cooling Capacity W	Efficiency W/W	Consumo de Potencia W
-20	1604	1.43	1120
-15	2096	1.66	1259
-5	3088	1.96	1578
0	3585	2.03	1766
5	4082	2.06	1980
10	4578	2.06	2223

Test Condition: Subcooling 3 K, Return Gas 20 °C.

PERFORMANCE CURVE

Ambient Temperature 32°C

Evaporating Temperature °C	Cooling Capacity W	Efficiency W/W	Consumo de Potencia W
-20	1496	1.29	1162
-15	1922	1.47	1308
-5	2819	1.72	1642
0	3286	1.79	1840
5	3765	1.82	2063
10	4254	1.84	2317

Test Condition: Subcooling 3 K, Return Gas 20 °C.

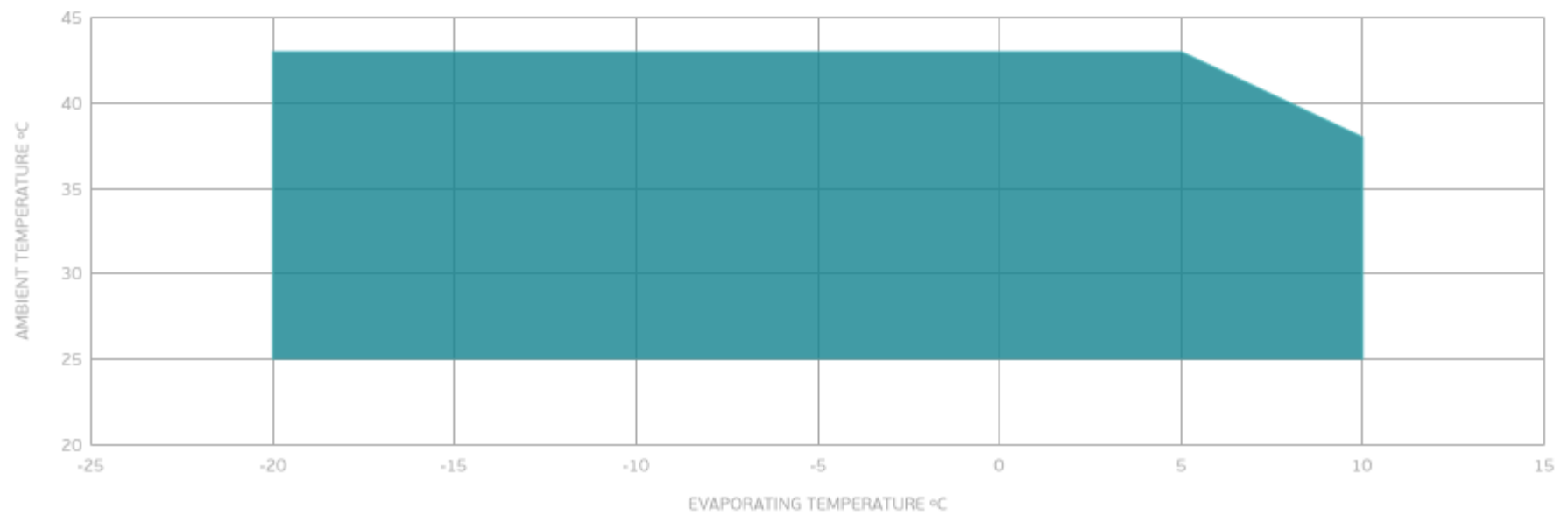
PERFORMANCE CURVE

Ambient Temperature 43°C

Evaporating Temperature °C	Cooling Capacity W	Efficiency W/W	Consumo de Potencia W
-20	1249	1.05	1195
-15	1648	1.22	1346
-5	2543	1.50	1695
0	3038	1.60	1901
5	3563	1.67	2135

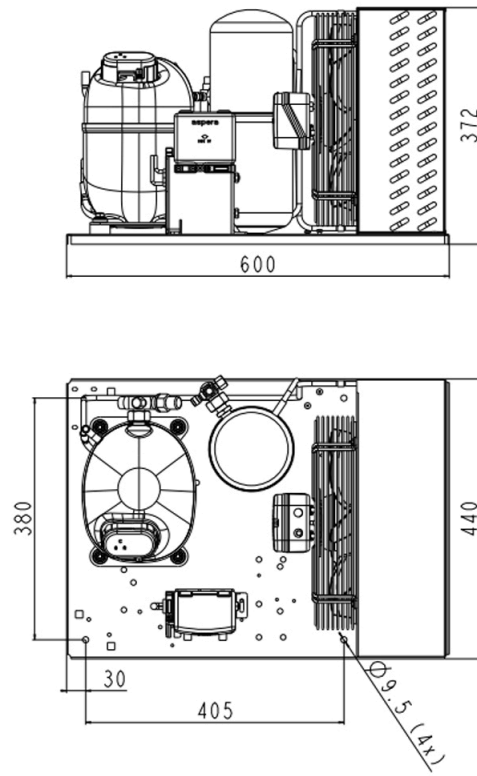
Test Condition: Subcooling 3 K, Return Gas 20 °C.

ENVELOPE



■ OPERATING CONDITION

EXTERNAL DIMENSIONS



WIRING DIAGRAM

