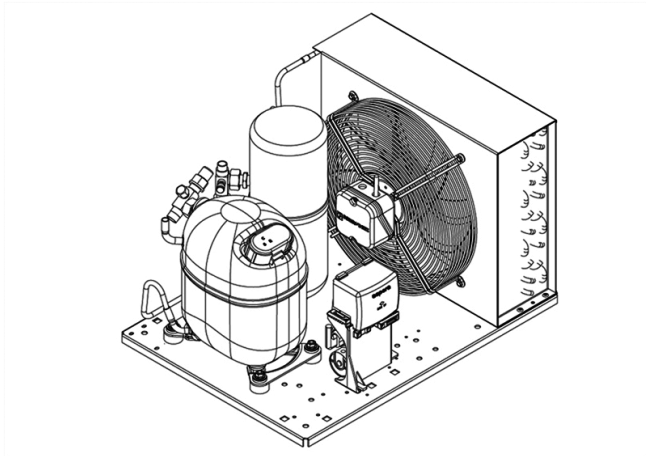


UNJ9232GK



ENGINEERING CODE
643NA5204AA



REFRIGERANT
R-449A



POWER SUPPLY
220-240 V 50 Hz



APPLICATION
HBP



MOTOR TYPE
CSR



STANDARD
EN13215_RG20



COOLING CAPACITY
1901 W



EFFICIENCY
1.67 W/W

CE

ECODESIGN
COMPLIANT

DATA

GENERAL DATA

Model UNJ9232GK

ELECTRICAL DATA

Locked Rotor Amperage (LRA) 43.00 A

Rated Load Amperage (RLA) 8.12 A

Maximum Overcurrent Protection (MOP) 18.27 A

Minimum Current Ampacity (MCA) 10.1 A

ACCESSORIES

Discharge valve FLARE 1/2" 2110057

Suction valve FLARE 5/8" 2110058

CONDENSING COMPONENTS

Compressor NJ9232GK M/HBP

Condenser 3R14T 2451198

Refrigerant R-404A

Expansion Device C-V

Fan Blade Diameter null mm

Fankit S4E300-XX 1996589

MECHANICAL DATA

Air Flow	1 m ³ /h
Height	372 mm
Receiver	3.9 L
Shaft Power	95 W
Weight	46 Kg
Width	440 mm
Length	600 mm

PERFORMANCE

TESTED CONDITIONS

Tested Refrigerant	R-449A
Tested Application	HBP
Tested Standard	EN13215_RG20

RATED POINTS

Ambient Temperature °C	Evaporating Temperature °C	Cooling Capacity W	Efficiency W/W	Consumo de Potencia W
32	-10	1901	1.67	1140

Test Condition: Subcooling 3 K, Return Gas 20 °C.

PERFORMANCE CURVE

Ambient Temperature 25°C

Evaporating Temperature °C	Cooling Capacity W	Efficiency W/W	Consumo de Potencia W
-20	1294	1.43	905
-15	1647	1.64	1004
-5	2494	2.05	1220
0	2993	2.23	1342
5	3545	2.40	1477
10	4153	2.55	1629

Test Condition: Subcooling 3 K, Return Gas 20 °C.

PERFORMANCE CURVE

Ambient Temperature 32°C

Evaporating Temperature °C	Cooling Capacity W	Efficiency W/W	Consumo de Potencia W
-20	1217	1.31	928
-15	1541	1.49	1031
-5	2300	1.83	1258
0	2740	1.98	1387
5	3224	2.11	1531
10	3755	2.22	1692

Test Condition: Subcooling 3 K, Return Gas 20 °C.

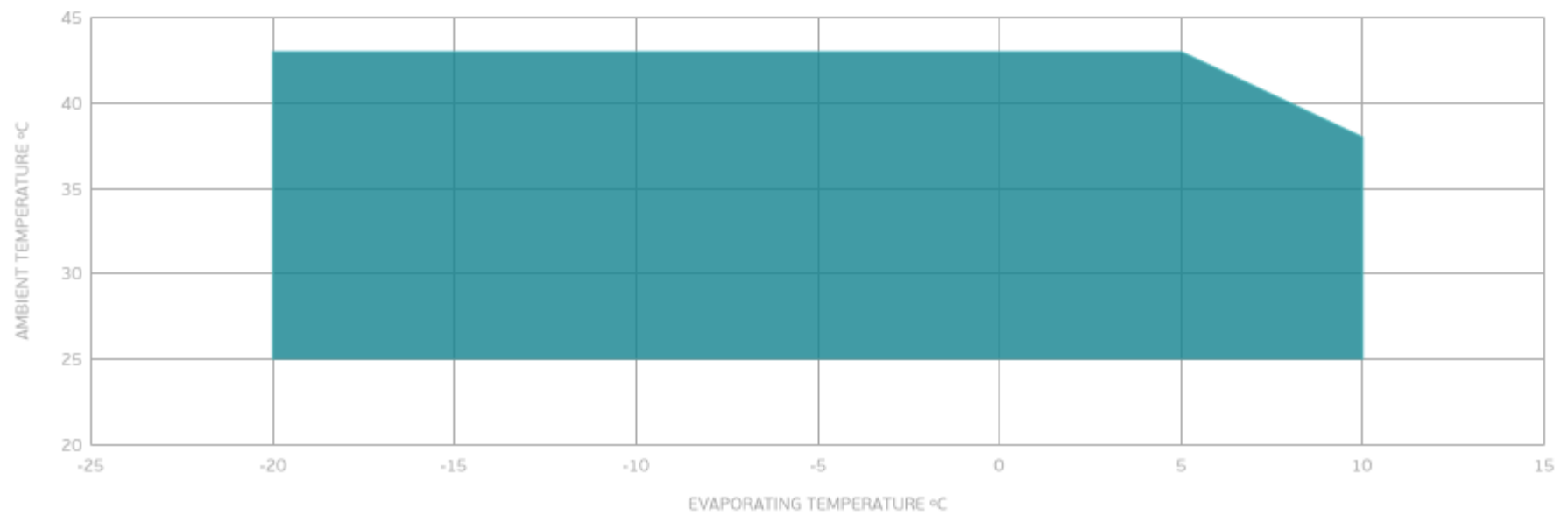
PERFORMANCE CURVE

Ambient Temperature 43°C

Evaporating Temperature °C	Cooling Capacity W	Efficiency W/W	Consumo de Potencia W
-20	930	0.97	956
-15	1214	1.13	1072
-5	1849	1.39	1331
0	2204	1.49	1479
5	2588	1.58	1643

Test Condition: Subcooling 3 K, Return Gas 20 °C.

ENVELOPE



■ OPERATING CONDITION

