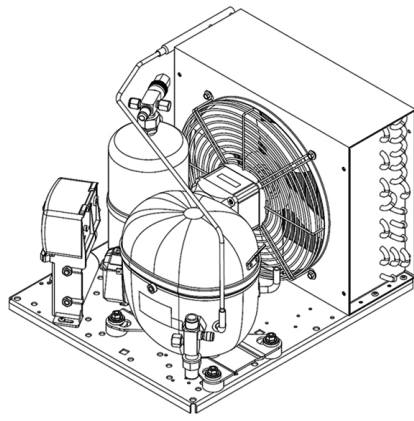


UNT6222GK



**ENGINEERING CODE**  
602CA5204AA



**REFRIGERANT**  
R-449A



**POWER SUPPLY**  
220-240 V 50 Hz



**APPLICATION**  
HBP



**MOTOR TYPE**  
CSR



**STANDARD**  
EN13215\_RG20



**COOLING CAPACITY**  
1325 W



**EFFICIENCY**  
1.67 W/W

CE

ECODESIGN  
COMPLIANT

DATA

GENERAL DATA

**Model** UNT6222GK

ELECTRICAL DATA

**Locked Rotor Amperage (LRA)** 30.00 A

**Rated Load Amperage (RLA)** 7.73 A

**Maximum Overcurrent Protection (MOP)** 17.39 A

**Minimum Current Ampacity (MCA)** 9.7 A

ACCESSORIES

**Discharge valve** FLARE 3/8" 2110056

**Suction valve** FLARE 1/2" 2110057

CONDENSING COMPONENTS

**Compressor** NT6222GK M/HBP

**Condenser** 3R12T 2451140

**Refrigerant** R-404A

**Expansion Device** C-V

**Fan Blade Diameter** 275 mm

**Fankit** 34W 275/31/5B 1996583

## MECHANICAL DATA

Air Flow	640 m <sup>3</sup> /h
Height	324 mm
Receiver	2.3 L
Shaft Power	34 W
Weight	31 Kg
Width	395 mm
Length	494 mm

## PERFORMANCE

### TESTED CONDITIONS

Tested Refrigerant	R-449A
Tested Application	HBP
Tested Standard	EN13215_RG20

### RATED POINTS

Ambient Temperature °C	Evaporating Temperature °C	Cooling Capacity W	Efficiency W/W	Consumo de Potencia W
32	-10	1325	1.67	793

Test Condition: Subcooling 3 K, Return Gas 20 °C.

### PERFORMANCE CURVE

Ambient Temperature 25°C

Evaporating Temperature °C	Cooling Capacity W	Efficiency W/W	Consumo de Potencia W
-20	901	1.42	634
-15	1150	1.64	702
-5	1741	2.07	841
0	2077	2.27	914
5	2437	2.46	991
10	2818	2.63	1072

Test Condition: Subcooling 3 K, Return Gas 20 °C.

**PERFORMANCE CURVE**

Ambient Temperature 32°C

Evaporating Temperature °C	Cooling Capacity W	Efficiency W/W	Consumo de Potencia W
-20	837	1.28	652
-15	1067	1.48	722
-5	1609	1.86	867
0	1916	2.03	944
5	2242	2.19	1026
10	2586	2.32	1113

Test Condition: Subcooling 3 K, Return Gas 20 °C.

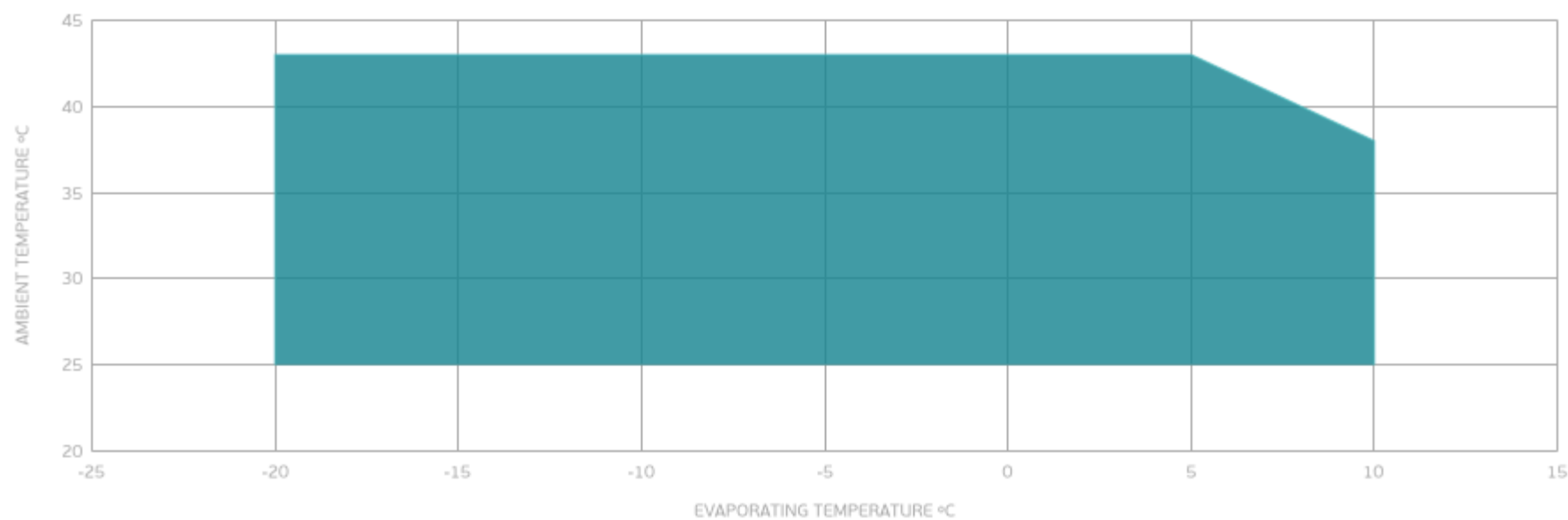
**PERFORMANCE CURVE**

Ambient Temperature 43°C

Evaporating Temperature °C	Cooling Capacity W	Efficiency W/W	Consumo de Potencia W
-20	671	1.02	658
-15	876	1.19	738
-5	1351	1.49	906
0	1615	1.62	997
5	1894	1.73	1093

Test Condition: Subcooling 3 K, Return Gas 20 °C.

**ENVELOPE**



■ OPERATING CONDITION

