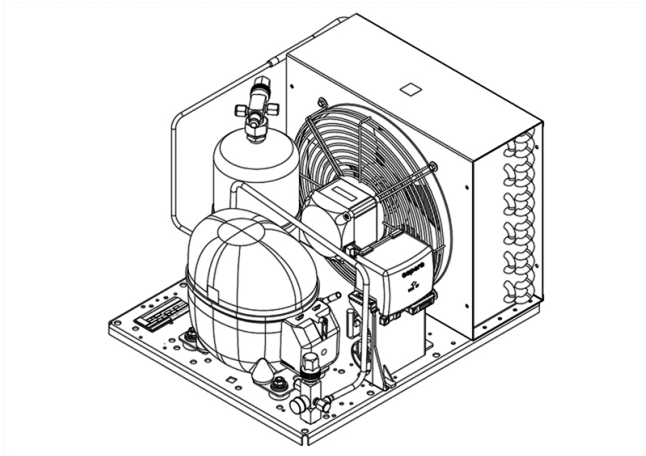


UNEK6217GK



CE


ENGINEERING CODE
559GA5204AA

REFRIGERANT
R-449A

POWER SUPPLY
220-240 V 50 Hz

APPLICATION
HBP

MOTOR TYPE
CSR

STANDARD
EN13215_RG20

COOLING CAPACITY
1078 W

EFFICIENCY
1.61 W/W

DATA

GENERAL DATA

Model	UNEK6217GK
-------	------------

ELECTRICAL DATA

Locked Rotor Amperage (LRA)	21.50 A
-----------------------------	---------

Rated Load Amperage (RLA)	5.55 A
---------------------------	--------

Maximum Overcurrent Protection (MOP)	12.49 A
--------------------------------------	---------

Minimum Current Ampacity (MCA)	6.9 A
--------------------------------	-------

ACCESSORIES

Discharge valve	FLARE 3/8"	2110056
-----------------	------------	---------

Suction valve	FLARE 1/2"	2110051
---------------	------------	---------

CONDENSING COMPONENTS

Compressor	NEK6217GK	M/HBP
------------	-----------	-------

Condenser	3R12T	2451218
-----------	-------	---------

Refrigerant	R-404A
-------------	--------

Expansion Device	C-V
------------------	-----

Fan Blade Diameter	275 mm
--------------------	--------

Fankit	34W 275/31/5B	1996583
--------	---------------	---------

MECHANICAL DATA

Air Flow	640 m ³ /h
Height	324 mm
Receiver	2.3 L
Shaft Power	34 W
Weight	29 Kg
Width	395 mm
Length	471 mm

PERFORMANCE

TESTED CONDITIONS

Tested Refrigerant	R-449A
Tested Application	HBP
Tested Standard	EN13215_RG20

RATED POINTS

Ambient Temperature °C	Evaporating Temperature °C	Cooling Capacity W	Efficiency W/W	Consumo de Potencia W
32	-10	1078	1.61	671

Test Condition: Subcooling 3 K, Return Gas 20 °C.

PERFORMANCE CURVE

Ambient Temperature 25°C

Evaporating Temperature °C	Cooling Capacity W	Efficiency W/W	Consumo de Potencia W
-20	750	1.36	551
-15	953	1.59	599
-5	1402	1.97	712
0	1657	2.14	776
5	1941	2.30	845
10	2258	2.45	920

Test Condition: Subcooling 3 K, Return Gas 20 °C.

PERFORMANCE CURVE

Ambient Temperature 32°C

Evaporating Temperature °C	Cooling Capacity W	Efficiency W/W	Consumo de Potencia W
-20	684	1.21	567
-15	877	1.42	615
-5	1293	1.76	733
0	1527	1.90	803
5	1786	2.03	879
10	2075	2.15	963

Test Condition: Subcooling 3 K, Return Gas 20 °C.

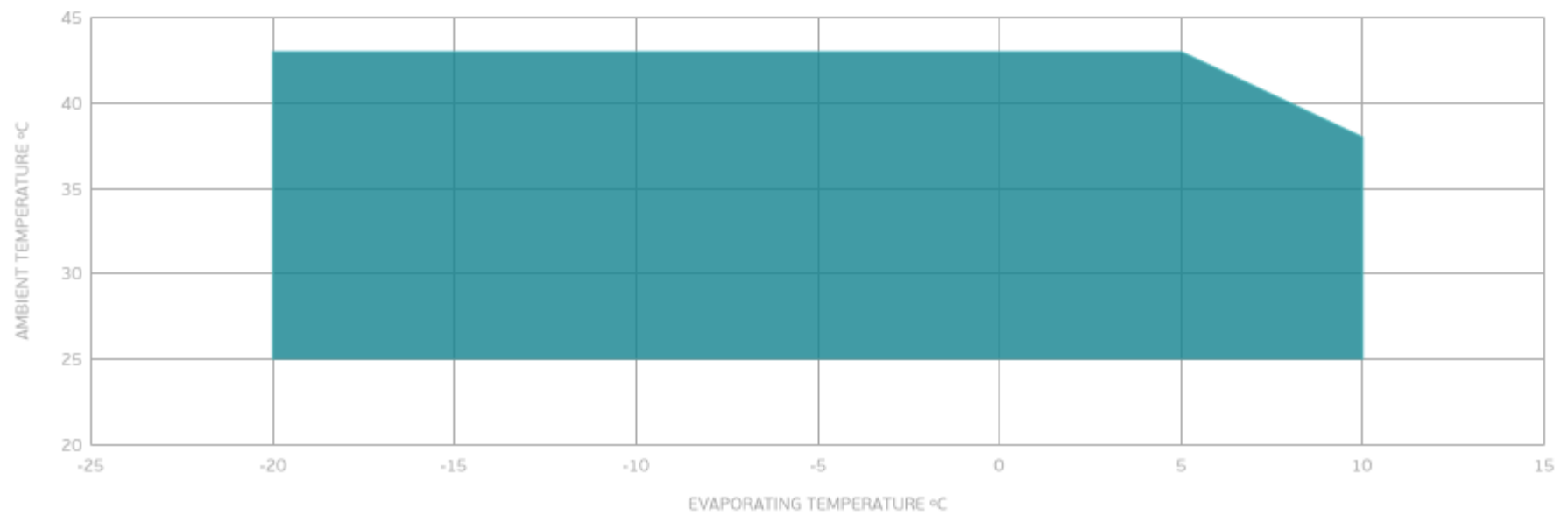
PERFORMANCE CURVE

Ambient Temperature 43°C

Evaporating Temperature °C	Cooling Capacity W	Efficiency W/W	Consumo de Potencia W
-20	588	0.99	593
-15	745	1.14	652
-5	1071	1.34	797
0	1251	1.42	884
5	1451	1.48	982

Test Condition: Subcooling 3 K, Return Gas 20 °C.

ENVELOPE



■ OPERATING CONDITION

