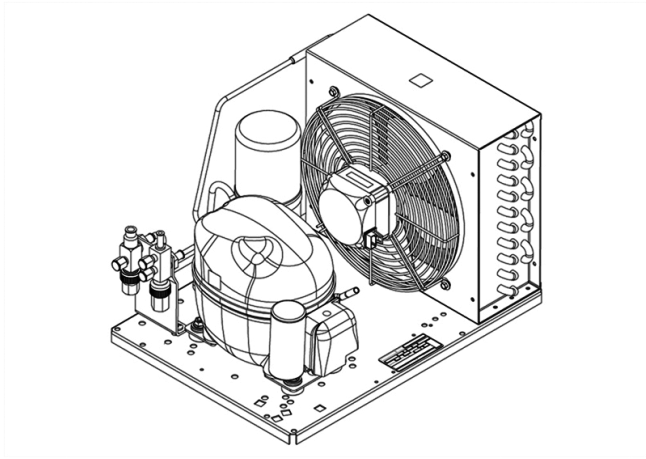


UNEK6213GK



**ENGINEERING CODE**  
659BA8212AA



**REFRIGERANT**  
R-449A



**POWER SUPPLY**  
220-240 V 50 Hz



**APPLICATION**  
HBP



**MOTOR TYPE**  
CSIR



**STANDARD**  
EN13215\_RG20



**COOLING CAPACITY**  
880 W



**EFFICIENCY**  
1.43 W/W

CE

ECODESIGN  
COMPLIANT

DATA

GENERAL DATA

**Model** UNEK6213GK

ELECTRICAL DATA

**Locked Rotor Amperage (LRA)** 19.30 A

**Rated Load Amperage (RLA)** 5.40 A

**Maximum Overcurrent Protection (MOP)** 12.15 A

**Minimum Current Ampacity (MCA)** 6.8 A

ACCESSORIES

**Discharge valve** FLARE 1/4" 2110085

**Suction valve** FLARE 3/8" 2110059

CONDENSING COMPONENTS

**Compressor** NEK6213GK M/HBP

**Condenser** 3R11T 2451206

**Refrigerant** R-404A

**Expansion Device** C-V

**Fan Blade Diameter** 254 mm

**Fankit** 16W 254/28/5B 1996579

## MECHANICAL DATA

Air Flow	595 m <sup>3</sup> /h
Height	296 mm
Receiver	1.1 L
Shaft Power	16 W
Weight	23 Kg
Width	340 mm
Length	465 mm

## PERFORMANCE

### TESTED CONDITIONS

Tested Refrigerant	R-449A
Tested Application	HBP
Tested Standard	EN13215_RG20

### RATED POINTS

Ambient Temperature °C	Evaporating Temperature °C	Cooling Capacity W	Efficiency W/W	Consumo de Potencia W
32	-10	880	1.43	614

Test Condition: Subcooling 3 K, Return Gas 20 °C.

### PERFORMANCE CURVE

Ambient Temperature 25°C

Evaporating Temperature °C	Cooling Capacity W	Efficiency W/W	Consumo de Potencia W
-20	620	1.26	490
-15	785	1.45	540
-5	1136	1.72	660
0	1329	1.82	731
5	1541	1.91	809
10	1774	1.98	894

Test Condition: Subcooling 3 K, Return Gas 20 °C.

**PERFORMANCE CURVE**

Ambient Temperature 32°C

Evaporating Temperature °C	Cooling Capacity W	Efficiency W/W	Consumo de Potencia W
-20	566	1.12	504
-15	721	1.30	555
-5	1047	1.54	681
0	1225	1.62	757
5	1418	1.69	842
10	1630	1.74	935

Test Condition: Subcooling 3 K, Return Gas 20 °C.

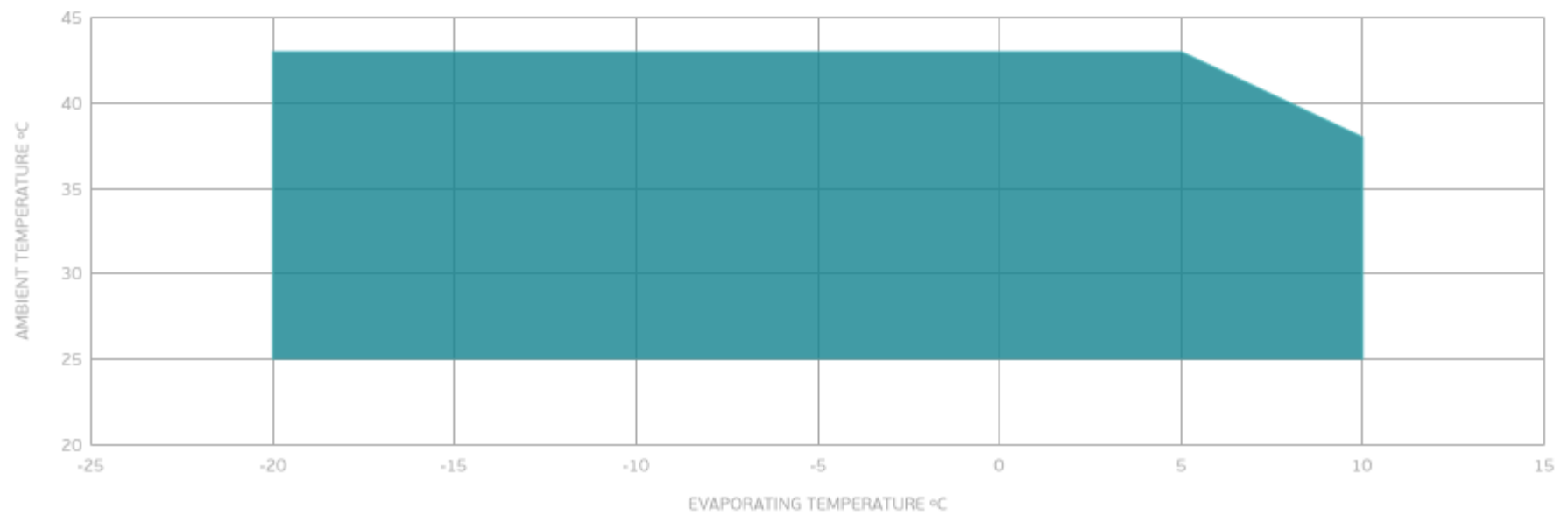
**PERFORMANCE CURVE**

Ambient Temperature 43°C

Evaporating Temperature °C	Cooling Capacity W	Efficiency W/W	Consumo de Potencia W
-20	460	0.86	533
-15	591	1.00	593
-5	857	1.15	743
0	999	1.20	834
5	1153	1.23	935

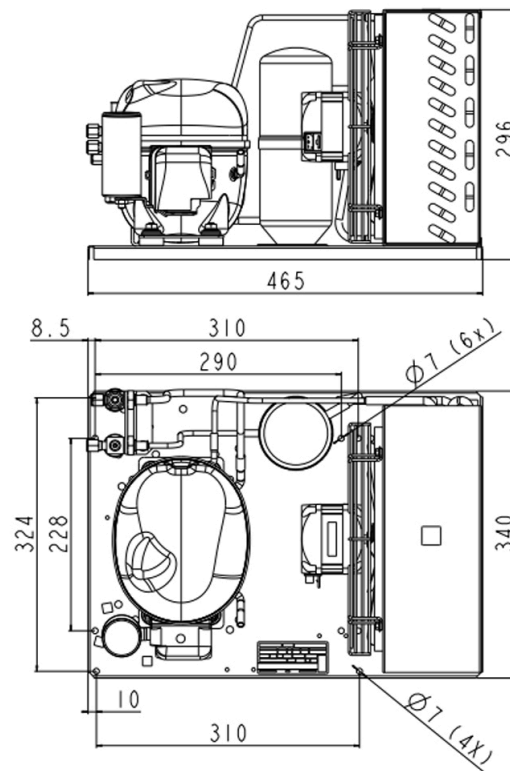
Test Condition: Subcooling 3 K, Return Gas 20 °C.

**ENVELOPE**



■ OPERATING CONDITION

## EXTERNAL DIMENSIONS



## WIRING DIAGRAM

